

SNx400, SNx4LS00, and SNx4S00 Quadruple 2-Input Positive-NAND Gates

1 Features

- Package Options Include:
 - Plastic Small-Outline (D, NS, PS)
 - Shrink Small-Outline (DB)
 - Ceramic Flat (W)
 - Ceramic Chip Carriers (FK)
 - Standard Plastic (N)
 - Ceramic (J)
- Also Available as Dual 2-Input Positive-NAND Gate in Small-Outline (PS) Package
- Inputs Are TTL Compliant; $V_{IH} = 2\text{ V}$ and $V_{IL} = 0.8\text{ V}$
- Inputs Can Accept 3.3-V or 2.5-V Logic Inputs
- SN5400, SN54LS00, and SN54S00 are Characterized For Operation Over the Full Military Temperature Range of -55°C to 125°C

2 Applications

- AV Receivers
- Portable Audio Docks
- Blu-Ray Players
- Home Theater
- MP3 Players or Recorders
- Personal Digital Assistants (PDAs)

3 Description

The SNx4xx00 devices contain four independent, 2-input NAND gates. The devices perform the Boolean function $Y = A \cdot B$ or $Y = \bar{A} + \bar{B}$ in positive logic.

Device Information⁽¹⁾

PART NUMBER	PACKAGE	BODY SIZE (NOM)
SN74LS00DB	SSOP (14)	6.20 mm × 5.30 mm
SN7400D, SN74LS00D, SN74S00D	SOIC (14)	8.65 mm × 3.91 mm
SN74LS00NSR	PDIP (14)	19.30 × 6.35 mm
SNJ5400J, SNJ54LS00J, SNJ54S00J	CDIP (14)	19.56 mm × 6.67 mm
SNJ5400W, SNJ54LS00W, SNJ54S00W	CFP (14)	9.21 mm × 5.97 mm
SN54LS00FK, SN54S00FK	LCCC (20)	8.89 mm × 8.89 mm
SN7400NS, SN74LS00NS, SN74S00NS	SO (14)	10.30 mm × 5.30 mm
SN7400PS, SN74LS00PS	SO (8)	6.20 mm × 5.30 mm

(1) For all available packages, see the orderable addendum at the end of the data sheet.

Logic Diagram, Each Gate (Positive Logic)



Table of Contents

1 Features	1	8.1 Overview	10
2 Applications	1	8.2 Functional Block Diagram	10
3 Description	1	8.3 Feature Description	10
4 Revision History	2	8.4 Device Functional Modes	10
5 Pin Configuration and Functions	3	9 Application and Implementation	11
6 Specifications	4	9.1 Application Information	11
6.1 Absolute Maximum Ratings	4	9.2 Typical Application	11
6.2 ESD Ratings: SN74LS00	4	10 Power Supply Recommendations	12
6.3 Recommended Operating Conditions	4	11 Layout	13
6.4 Thermal Information	6	11.1 Layout Guidelines	13
6.5 Electrical Characteristics: SNx400	6	11.2 Layout Example	13
6.6 Electrical Characteristics: SNx4LS00	6	12 Device and Documentation Support	14
6.7 Electrical Characteristics: SNx4S00	6	12.1 Documentation Support	14
6.8 Switching Characteristics: SNx400	7	12.2 Related Links	14
6.9 Switching Characteristics: SNx4LS00	7	12.3 Receiving Notification of Documentation Updates	14
6.10 Switching Characteristics: SNx4S00	7	12.4 Community Resources	14
6.11 Typical Characteristics	8	12.5 Trademarks	14
7 Parameter Measurement Information	9	12.6 Electrostatic Discharge Caution	14
7.1 Propagation Delays, Setup and Hold Times, and Pulse Width	9	12.7 Glossary	14
8 Detailed Description	10	13 Mechanical, Packaging, and Orderable Information	15

4 Revision History

NOTE: Page numbers for previous revisions may differ from page numbers in the current version.

Changes from Revision C (November 2016) to Revision D Page

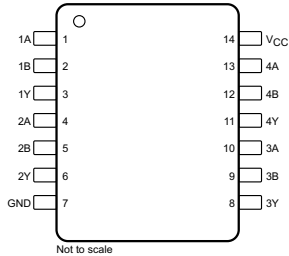
- Changed *Typical Application* Diagram see *Application and Implementation* section..... 1

Changes from Revision B (October 2003) to Revision C Page

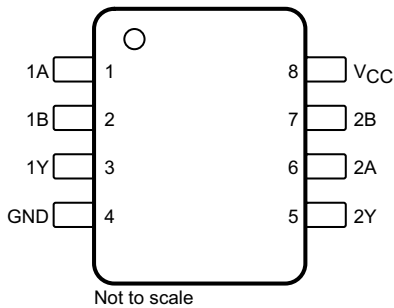
- Added *ESD Ratings* table, *Feature Description* section, *Device Functional Modes*, *Application and Implementation Power Supply Recommendations* section, *Layout* section, *Device and Documentation Support* section, and *Mechanical, Packaging, and Orderable Information* section. 1
- Changed *Ordering Information* table to *Device Comparison Table*; see *Package Option Addendum* at the end of the data sheet..... 1
- Changed Package thermal impedance, $R_{\theta JA}$, values in *Thermal Information* table From: 86°C/W To: 90.9°C/W (D), From: 96°C/W To: 102.8°C/W (DB), From: 80°C/W To: 54.8°C/W (N), and From: 76°C/W To: 89.7°C/W (NS)..... 6

5 Pin Configuration and Functions

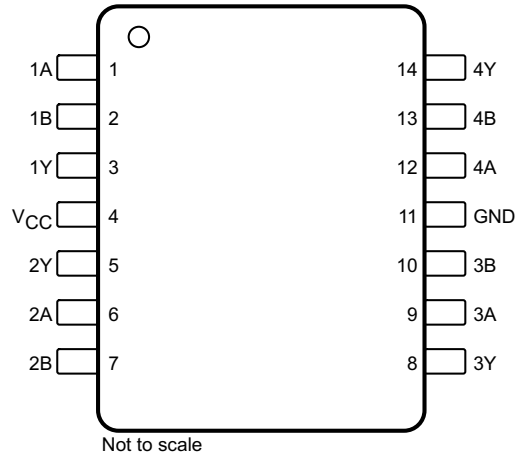
**SN5400 J, SN54xx00 J and W, SN74xx00 D, N, and NS, or
SN74LS00 D, DB, N, and NS Packages**
14-Pin CDIP, CFP, SOIC, PDIP, SO, or SSOP
Top View



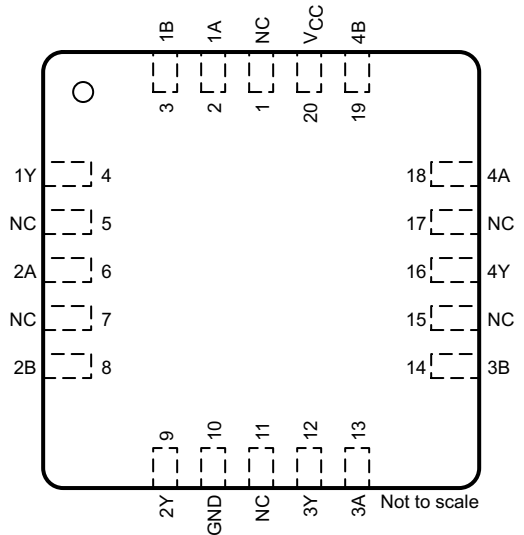
SN5400 W Package
14-Pin CFP
Top View



SN74xx00 PS Package
18-Pin SO
Top View



SN54xx00 FK Package
20-Pin LCCC
Top View



Pin Functions

NAME	PIN				I/O	DESCRIPTION
	CDIP, CFP, SOIC, PDIP, SO, SSOP	SO (SN74xx00)	CFP (SN5400)	LCCC		
1A	1	1	1	2	I	Gate 1 input
1B	2	2	2	3	I	Gate 1 input
1Y	3	3	3	4	O	Gate 1 output
2A	4	6	6	6	I	Gate 2 input
2B	5	7	7	8	I	Gate 2 input
2Y	6	5	5	9	O	Gate 2 output
3A	10	—	9	13	I	Gate 3 input
3B	9	—	10	14	I	Gate 3 input

Pin Functions (continued)

NAME	PIN				I/O	DESCRIPTION
	CDIP, CFP, SOIC, PDIP, SO, SSOP	SO (SN74xx00)	CFP (SN5400)	LCCC		
3Y	8	—	8	12	O	Gate 3 output
4A	13	—	12	18	I	Gate 4 input
4B	12	—	13	19	I	Gate 4 input
4Y	11	—	14	16	O	Gate 4 output
GND	7	4	11	10	—	Ground
NC	—	—	—	1, 5, 7, 11, 15, 17	—	No connect
V _{CC}	14	8	4	20	—	Power supply

6 Specifications

6.1 Absolute Maximum Ratings

over operating free-air temperature range (unless otherwise noted)⁽¹⁾

	MIN	MAX	UNIT
Supply voltage, V _{CC} ⁽²⁾		7	V
Input voltage	SNx400 and SNxS400	5.5	V
	SNx4LS00	7	
Junction temperature, T _J		150	°C
Storage temperature, T _{stg}	–65	150	°C

- (1) Stresses beyond those listed under *Absolute Maximum Ratings* may cause permanent damage to the device. These are stress ratings only, which do not imply functional operation of the device at these or any other conditions beyond those indicated under *Recommended Operating Conditions*. Exposure to absolute-maximum-rated conditions for extended periods may affect device reliability.
- (2) Voltage values are with respect to network ground terminal.

6.2 ESD Ratings: SN74LS00

	VALUE	UNIT
V _(ESD) Electrostatic discharge	Human-body model (HBM), per ANSI/ESDA/JEDEC JS-001 ⁽¹⁾	±500
	Charged-device model (CDM), per JEDEC specification JESD22-C101 ⁽²⁾	±2000

- (1) JEDEC document JEP155 states that 500-V HBM allows safe manufacturing with a standard ESD control process. Manufacturing with less than 500-V HBM is possible with the necessary precautions.
- (2) JEDEC document JEP157 states that 250-V CDM allows safe manufacturing with a standard ESD control process. Manufacturing with less than 250-V CDM is possible with the necessary precautions. Pins listed as ±2000 V may actually have higher performance. ESD Tested on SN74LS00N package.

6.3 Recommended Operating Conditions

over operating free-air temperature range (unless otherwise noted)

	MIN	NOM	MAX	UNIT
V _{CC} Supply voltage	SN54xx00	5	5.5	V
	SN74xx00	4.75	5	
V _{IH} High-level input voltage	2			V
V _{IL} Low-level input voltage	SNx400, SN7LS400, and SNx4S00		0.8	V
	SN54LS00		0.7	
I _{OH} High-level output current	SN5400, SN54LS00, and SN74LS00		–0.4	mA
	SNx4S00		–1	
I _{OL} Low-level output current	SNx400		16	mA
	SN5LS400		4	
	SN7LS400		8	
	SNx4S00		20	

Recommended Operating Conditions (continued)

over operating free-air temperature range (unless otherwise noted)

			MIN	NOM	MAX	UNIT
T _A	Operating free-air temperature	SN54xx00	-55		125	°C
		SN74xx00	0		70	

6.4 Thermal Information

THERMAL METRIC ⁽¹⁾⁽²⁾	SN74LS00				UNIT
	D (SOIC)	DB (SSOP)	N (PDIP)	NS (SO)	
	14 PINS	14 PINS	14 PINS	14 PINS	
R _{θJA} Junction-to-ambient thermal resistance	90.9	102.8	54.8	89.7	°C/W
R _{θJC(top)} Junction-to-case (top) thermal resistance	51.9	53.3	42.1	48.1	°C/W
R _{θJB} Junction-to-board thermal resistance	48	53.4	34.8	50.1	°C/W
ψ _{JT} Junction-to-top characterization parameter	18.6	16.5	26.9	16.7	°C/W
ψ _{JB} Junction-to-board characterization parameter	47.8	52.9	34.7	49.8	°C/W

(1) For more information about traditional and new thermal metrics, see the [Semiconductor and IC Package Thermal Metrics](#) application report.

(2) The package thermal impedance is calculated in accordance with JESD 51-7.

6.5 Electrical Characteristics: SNx400

over operating free-air temperature range (unless otherwise noted)

PARAMETER	TEST CONDITIONS	MIN	TYP	MAX	UNIT	
V _{IK}	V _{CC} = MIN and I _I = -12 mA			-1.5	V	
V _{OH}	V _{CC} = MIN, V _{IL} = 0.8 V, and I _{OH} = -0.4 mA	2.4	3.4		V	
V _{OL}	V _{CC} = MIN, V _{IH} = 2 V, and I _{OL} = 16 mA		0.2	0.4	V	
I _I	V _{CC} = MAX and V _I = 5.5 V			1	mA	
I _{IH}	V _{CC} = MAX and V _I = 2.4 V			40	μA	
I _{IL}	V _{CC} = MAX and V _I = 0.4 V			-1.6	mA	
I _{OS}	V _{CC} = MAX	SN5400		-20	-55	mA
		SN7400		-18	-55	
I _{CCH}	V _{CC} = MAX and V _I = 0 V		4	8	mA	
I _{CCL}	V _{CC} = MAX and V _I = 4.5 V		12	22	mA	

6.6 Electrical Characteristics: SNx4LS00

over operating free-air temperature range (unless otherwise noted)

PARAMETER	TEST CONDITIONS	MIN	TYP	MAX	UNIT
V _{IK}	V _{CC} = MIN and I _I = -18 mA			-1.5	V
V _{OH}	V _{CC} = MIN, V _{IL} = MAX, and I _{OH} = -0.4 mA	2.5	3.4		V
V _{OL}	V _{CC} = MIN and V _{IH} = 2 V	I _{OL} = 4 mA	0.25	0.4	V
		I _{OL} = 8 mA (SN74LS00)	0.35	0.5	
I _I	V _{CC} = MAX and V _I = 7 V			0.1	mA
I _{IH}	V _{CC} = MAX and V _I = 2.7 V			20	μA
I _{IL}	V _{CC} = MAX and V _I = 0.4 V			-0.4	mA
I _{OS}	V _{CC} = MAX	-20		-100	mA
I _{CCH}	V _{CC} = MAX and V _I = 0 V		0.8	1.6	mA
I _{CCL}	V _{CC} = MAX and V _I = 4.5 V		2.4	4.4	mA

6.7 Electrical Characteristics: SNx4S00

over operating free-air temperature range (unless otherwise noted)

PARAMETER	TEST CONDITIONS	MIN	TYP	MAX	UNIT
V _{IK}	V _{CC} = MIN and I _I = -18 mA			-1.2	V
V _{OH}	V _{CC} = MIN, V _{IL} = 0.8 V, and I _{OH} = -1 mA	2.5	3.4		V
V _{OL}	V _{CC} = MIN, V _{IH} = 2 V, and I _{OL} = 20 mA			0.5	V
I _I	V _{CC} = MAX and V _I = 5.5 V			1	mA
I _{IH}	V _{CC} = MAX and V _I = 2.7 V			50	μA
I _{IL}	V _{CC} = MAX and V _I = 0.5 V			-2	mA

Electrical Characteristics: SNx4S00 (continued)

over operating free-air temperature range (unless otherwise noted)

PARAMETER	TEST CONDITIONS	MIN	TYP	MAX	UNIT
I_{OS}	$V_{CC} = MAX$	-40		-100	mA
I_{CCH}	$V_{CC} = MAX$ and $V_I = 0 V$		10	16	mA
I_{CCL}	$V_{CC} = MAX$ and $V_I = 4.5 V$		20	36	mA

6.8 Switching Characteristics: SNx400

$V_{CC} = 5 V$, $T_A = 25^\circ C$, and over operating free-air temperature range (unless otherwise noted). See [Figure 2](#).

PARAMETER	FROM (INPUT)	TO (OUTPUT)	TEST CONDITIONS	MIN	TYP	MAX	UNIT
t_{PLH}	A or B	Y	$R_L = 400 \Omega$ and $C_L = 15 pF$		11	22	ns
t_{PHL}					7	15	

6.9 Switching Characteristics: SNx4LS00

$V_{CC} = 5 V$, $T_A = 25^\circ C$, and over operating free-air temperature range (unless otherwise noted). See [Figure 2](#).

PARAMETER	FROM (INPUT)	TO (OUTPUT)	TEST CONDITIONS	MIN	TYP	MAX	UNIT
t_{PLH}	A or B	Y	$R_L = 2 k\Omega$ and $C_L = 15 pF$		9	15	ns
t_{PHL}					10	15	

6.10 Switching Characteristics: SNx4S00

$V_{CC} = 5 V$, $T_A = 25^\circ C$, and over operating free-air temperature range (unless otherwise noted). See [Figure 2](#).

PARAMETER	FROM (INPUT)	TO (OUTPUT)	TEST CONDITIONS	MIN	TYP	MAX	UNIT
t_{PLH}	A or B	Y	$R_L = 280 \Omega$ and $C_L = 15 pF$		3	4.5	ns
			$R_L = 280 \Omega$ and $C_L = 50 pF$		4.5		
t_{PHL}	A or B	Y	$R_L = 280 \Omega$ and $C_L = 15 pF$		3	5	
			$R_L = 280 \Omega$ and $C_L = 50 pF$		5		

6.11 Typical Characteristics

$C_L = 15 \text{ pF}$

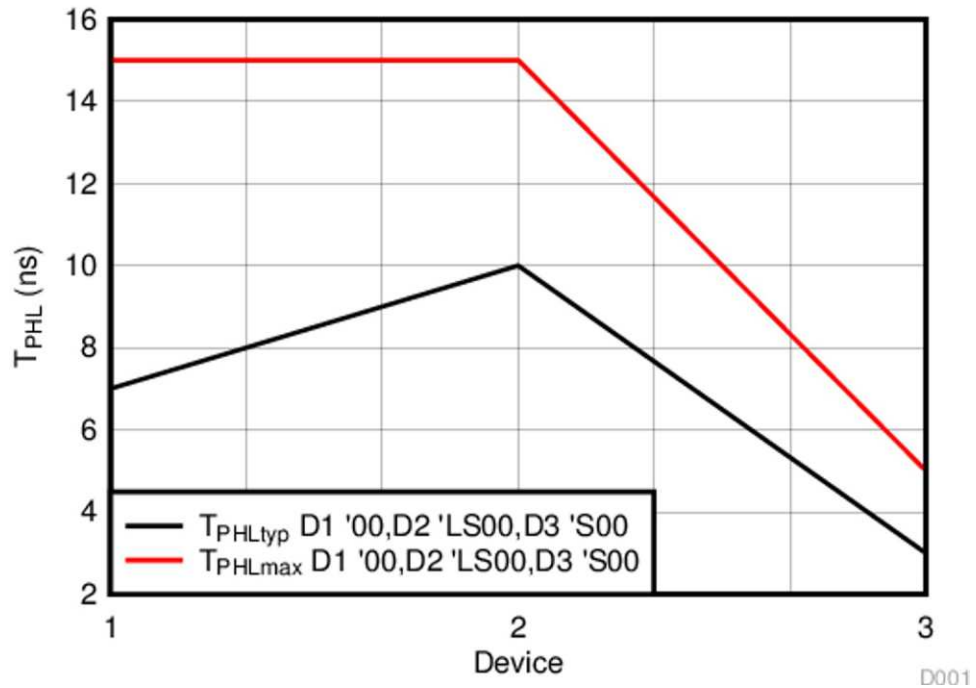
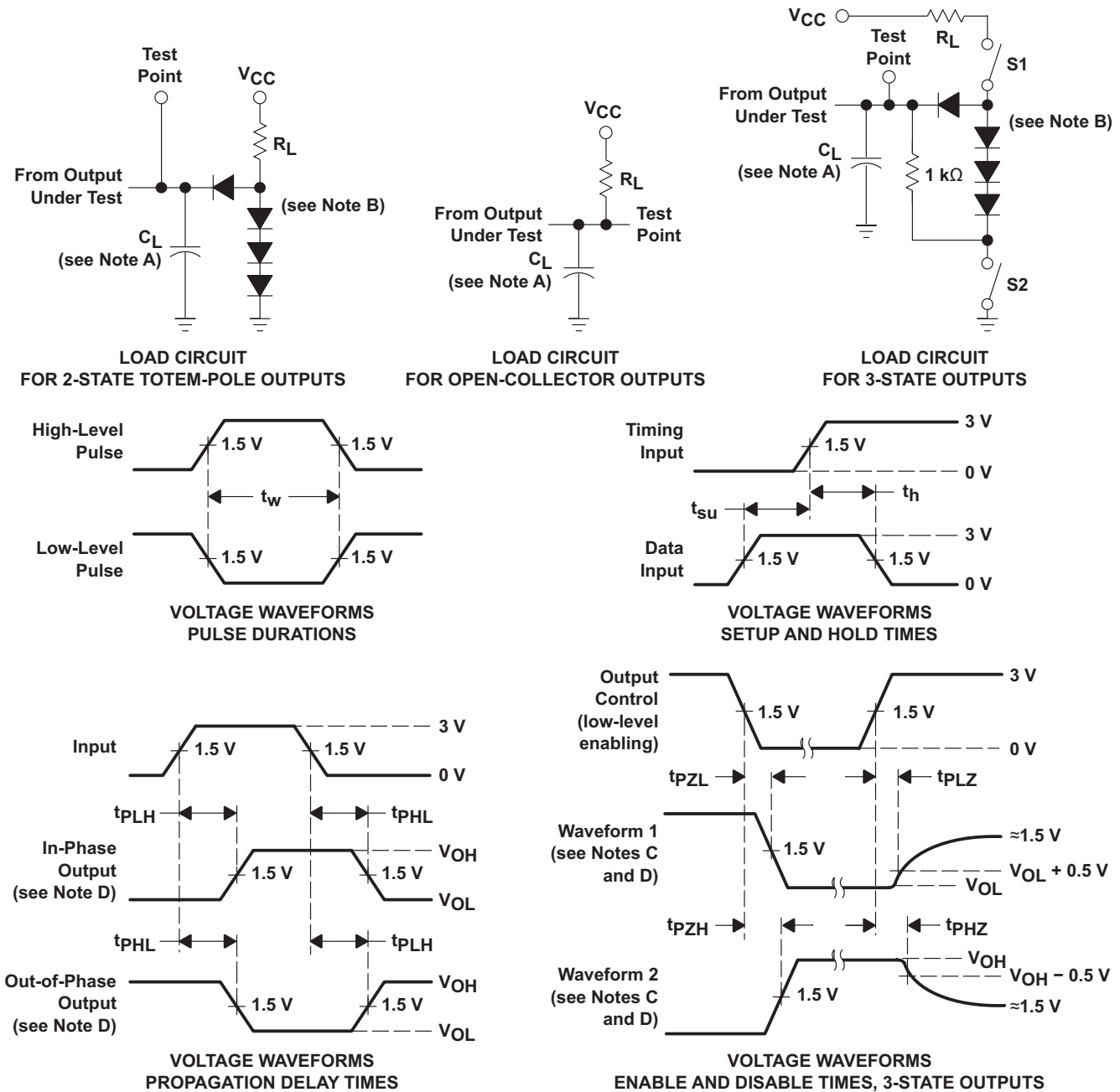


Figure 1. T_{PHL} (Across Devices)

7 Parameter Measurement Information

7.1 Propagation Delays, Setup and Hold Times, and Pulse Width



- NOTES:
- A. C_L includes probe and jig capacitance.
 - B. All diodes are 1N3064 or equivalent.
 - C. Waveform 1 is for an output with internal conditions such that the output is low except when disabled by the output control. Waveform 2 is for an output with internal conditions such that the output is high except when disabled by the output control.
 - D. S1 and S2 are closed for t_{PLH} , t_{PHL} , t_{PZH} , and t_{PLZ} ; S1 is open and S2 is closed for t_{PZH} ; S1 is closed and S2 is open for t_{PZL} .
 - E. All input pulses are supplied by generators having the following characteristics: $PRR \leq 1$ MHz, $Z_O \approx 50 \Omega$; t_r and $t_f \leq 7$ ns for Series 54/74 devices and t_r and $t_f \leq 2.5$ ns for Series 54S/74S devices.
 - F. The outputs are measured one at a time with one input transition per measurement.

Figure 2. Load Circuits and Voltage Waveforms

8 Detailed Description

8.1 Overview

The SNx4xx00 devices are quadruple, 2-input NAND gates which perform the Boolean function $Y = \overline{A \cdot B}$ or $Y = \overline{A} + \overline{B}$ in positive logic.

8.2 Functional Block Diagram



8.3 Feature Description

The operating voltage of SN74xx00 is from 4.75-V to 5.25-V V_{CC} . The operating voltage of SN54xx00 is from 4.5-V to 5.5-V V_{CC} . The SN54xx00 devices are rated from -55°C to 125°C whereas SN74xx00 device are rated from 0°C to 70°C .

8.4 Device Functional Modes

Table 1 lists the functions of the devices.

Table 1. Functional Table (Each Gate)

INPUTS		OUTPUT
A	B	Y
H	H	L
L	X	H
X	L	H

9 Application and Implementation

NOTE

Information in the following applications sections is not part of the TI component specification, and TI does not warrant its accuracy or completeness. TI's customers are responsible for determining suitability of components for their purposes. Customers should validate and test their design implementation to confirm system functionality.

9.1 Application Information

The SNx4xx00 devices are quadruple, 2-input NAND gate. A typical application of NAND gate can be as an error indicator as shown in [Figure 3](#). If either of the sensor has an error, the error flag is high to indicate system error.

9.2 Typical Application

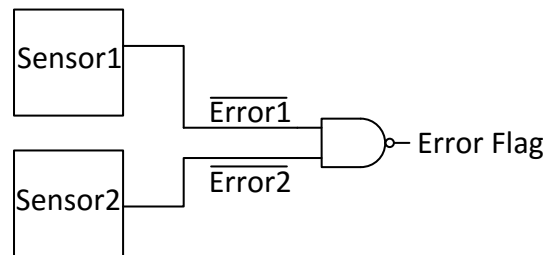


Figure 3. Typical Application Diagram

9.2.1 Design Requirements

These devices use BJT technology and have unbalanced output drive with I_{OL} and I_{OH} specified as per the [Recommended Operating Conditions](#).

9.2.2 Detailed Design Procedure

- Recommended Input Conditions:
 - The inputs are TTL compliant.
 - Because the base-emitter junction at the inputs breaks down, no voltage greater than 5.5 V must be applied to the inputs.
 - Specified high and low levels: See V_{IH} and V_{IL} in [Recommended Operating Conditions](#).
- Recommended Output Conditions:
 - No more than one output must be shorted at a time as per the [Electrical Characteristics: SNx400](#) for thermal stability and reliability.
 - For high-current applications, consider thermal characteristics of the package listed in [Thermal Information](#).

Typical Application (continued)

9.2.3 Application Curve

$C_L = 15 \text{ pF}$

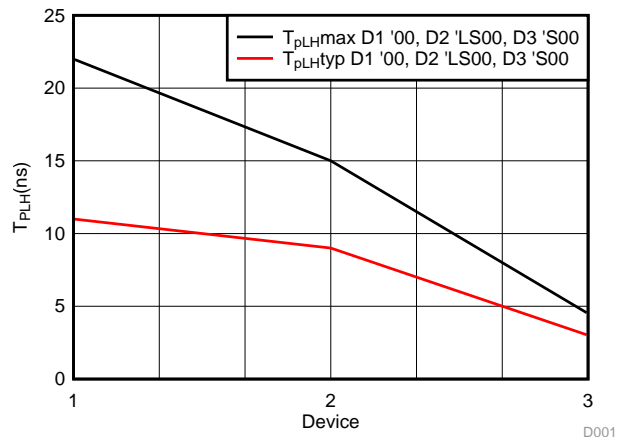


Figure 4. T_{PLH} (Across Devices)

10 Power Supply Recommendations

The power supply can be any voltage between the minimum and maximum supply voltage rating located in [Recommended Operating Conditions](#) for each of the SNx4LS00, SNx4S00, and SNx400 devices.

Each V_{CC} pin must have a good bypass capacitor to prevent power disturbance. For devices with a single supply, $0.1 \mu\text{F}$ is recommended; if there are multiple V_{CC} pins, then $0.01 \mu\text{F}$ or $0.022 \mu\text{F}$ is recommended for each power pin. It is acceptable to parallel multiple bypass capacitors to reject different frequencies of noise. A $0.1 \mu\text{F}$ and a $1 \mu\text{F}$ are commonly used in parallel. The bypass capacitor must be installed as close to the power pin as possible for best results.

11 Layout

11.1 Layout Guidelines

When using multiple bit logic, devices inputs must never float.

Devices with multiple-emitter inputs (SN74 and SN74S series) need special care. Because no voltage greater than 5.5 V must be applied to the inputs (if exceeded, the base-emitter junction at the inputs breaks down), the inputs of these devices must be connected to the supply voltage, V_{CC} , through series resistor, R_S (see Figure 5). This resistor must be dimensioned such that the current flowing into the gate or gates, which results from overvoltage, does not exceed 1 mA. However, because the high-level input current of the circuits connected to the gate flows through this resistor, the resistor must be dimensioned so that the voltage drop across it still allows the required high level. Equation 1 and Equation 2 are for dimensioning resistor, R_S , and several inputs can be connected to a high level through a single resistor if the following conditions are met.

$$R_{S(\min)} = \frac{V_{CCP} - 5.5 \text{ V}}{1 \text{ mA}} \quad (1)$$

$$R_{S(\max)} = \frac{V_{CC(\min)} - 2.4 \text{ V}}{n I_{IH}}$$

where

- n = number of inputs connected
 - I_{IH} = high input current (typical 40 μA)
 - $V_{CC(\min)}$ = minimum supply voltage, V_{CC}
 - V_{CCP} = maximum peak voltage of the supply voltage, V_{CC} (about 7 V)
- (2)

11.2 Layout Example

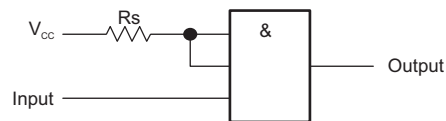


Figure 5. Series Resistor Connected to Unused Inputs of Multiple-Emitter Transistors

12 Device and Documentation Support

12.1 Documentation Support

12.1.1 Related Documentation

For related documentation see the following:

[Designing With Logic](#) (SDYA009)

12.2 Related Links

The table below lists quick access links. Categories include technical documents, support and community resources, tools and software, and quick access to sample or buy.

Table 2. Related Links

PARTS	PRODUCT FOLDER	SAMPLE & BUY	TECHNICAL DOCUMENTS	TOOLS & SOFTWARE	SUPPORT & COMMUNITY
SN5400	Click here	Click here	Click here	Click here	Click here
SN54LS00	Click here	Click here	Click here	Click here	Click here
SN54S00	Click here	Click here	Click here	Click here	Click here
SN7400	Click here	Click here	Click here	Click here	Click here
SN74LS00	Click here	Click here	Click here	Click here	Click here
SN74S00	Click here	Click here	Click here	Click here	Click here

12.3 Receiving Notification of Documentation Updates

To receive notification of documentation updates, navigate to the device product folder on ti.com. In the upper right corner, click on *Alert me* to register and receive a weekly digest of any product information that has changed. For change details, review the revision history included in any revised document.

12.4 Community Resources

The following links connect to TI community resources. Linked contents are provided "AS IS" by the respective contributors. They do not constitute TI specifications and do not necessarily reflect TI's views; see TI's [Terms of Use](#).

TI E2E™ Online Community *TI's Engineer-to-Engineer (E2E) Community*. Created to foster collaboration among engineers. At e2e.ti.com, you can ask questions, share knowledge, explore ideas and help solve problems with fellow engineers.

Design Support *TI's Design Support* Quickly find helpful E2E forums along with design support tools and contact information for technical support.

12.5 Trademarks

E2E is a trademark of Texas Instruments.
 All other trademarks are the property of their respective owners.

12.6 Electrostatic Discharge Caution



These devices have limited built-in ESD protection. The leads should be shorted together or the device placed in conductive foam during storage or handling to prevent electrostatic damage to the MOS gates.

12.7 Glossary

SLYZ022 — *TI Glossary*.

This glossary lists and explains terms, acronyms, and definitions.

13 Mechanical, Packaging, and Orderable Information

The following pages include mechanical, packaging, and orderable information. This information is the most current data available for the designated devices. This data is subject to change without notice and revision of this document. For browser-based versions of this data sheet, refer to the left-hand navigation.

PACKAGING INFORMATION

Orderable Device	Status (1)	Package Type	Package Drawing	Pins	Package Qty	Eco Plan (2)	Lead finish/ Ball material (6)	MSL Peak Temp (3)	Op Temp (°C)	Device Marking (4/5)	Samples
JM38510/00104BCA	ACTIVE	CDIP	J	14	25	Non-RoHS & Green	SNPB	N / A for Pkg Type	-55 to 125	JM38510/ 00104BCA	Samples
JM38510/00104BDA	ACTIVE	CFP	W	14	25	Non-RoHS & Green	SNPB	N / A for Pkg Type	-55 to 125	JM38510/ 00104BDA	Samples
JM38510/07001BCA	ACTIVE	CDIP	J	14	25	Non-RoHS & Green	SNPB	N / A for Pkg Type	-55 to 125	JM38510/ 07001BCA	Samples
JM38510/07001BDA	ACTIVE	CFP	W	14	25	Non-RoHS & Green	SNPB	N / A for Pkg Type	-55 to 125	JM38510/ 07001BDA	Samples
JM38510/30001B2A	ACTIVE	LCCC	FK	20	55	Non-RoHS & Green	SNPB	N / A for Pkg Type	-55 to 125	JM38510/ 30001B2A	Samples
JM38510/30001BCA	ACTIVE	CDIP	J	14	25	Non-RoHS & Green	SNPB	N / A for Pkg Type	-55 to 125	JM38510/ 30001BCA	Samples
JM38510/30001BDA	ACTIVE	CFP	W	14	25	Non-RoHS & Green	SNPB	N / A for Pkg Type	-55 to 125	JM38510/ 30001BDA	Samples
JM38510/30001SCA	ACTIVE	CDIP	J	14	25	Non-RoHS & Green	SNPB	N / A for Pkg Type	-55 to 125	JM38510/30001S CA	Samples
JM38510/30001SDA	ACTIVE	CFP	W	14	25	Non-RoHS & Green	SNPB	N / A for Pkg Type	-55 to 125	JM38510/30001S DA	Samples
M38510/00104BCA	ACTIVE	CDIP	J	14	25	Non-RoHS & Green	SNPB	N / A for Pkg Type	-55 to 125	JM38510/ 00104BCA	Samples
M38510/00104BDA	ACTIVE	CFP	W	14	25	Non-RoHS & Green	SNPB	N / A for Pkg Type	-55 to 125	JM38510/ 00104BDA	Samples
M38510/07001BCA	ACTIVE	CDIP	J	14	25	Non-RoHS & Green	SNPB	N / A for Pkg Type	-55 to 125	JM38510/ 07001BCA	Samples
M38510/07001BDA	ACTIVE	CFP	W	14	25	Non-RoHS & Green	SNPB	N / A for Pkg Type	-55 to 125	JM38510/ 07001BDA	Samples
M38510/30001B2A	ACTIVE	LCCC	FK	20	55	Non-RoHS & Green	SNPB	N / A for Pkg Type	-55 to 125	JM38510/ 30001B2A	Samples
M38510/30001BCA	ACTIVE	CDIP	J	14	25	Non-RoHS & Green	SNPB	N / A for Pkg Type	-55 to 125	JM38510/ 30001BCA	Samples
M38510/30001BDA	ACTIVE	CFP	W	14	25	Non-RoHS & Green	SNPB	N / A for Pkg Type	-55 to 125	JM38510/ 30001BDA	Samples

Orderable Device	Status (1)	Package Type	Package Drawing	Pins	Package Qty	Eco Plan (2)	Lead finish/ Ball material (6)	MSL Peak Temp (3)	Op Temp (°C)	Device Marking (4/5)	Samples
M38510/30001SCA	ACTIVE	CDIP	J	14	25	Non-RoHS & Green	SNPB	N / A for Pkg Type	-55 to 125	JM38510/30001S CA	Samples
M38510/30001SDA	ACTIVE	CFP	W	14	25	Non-RoHS & Green	SNPB	N / A for Pkg Type	-55 to 125	JM38510/30001S DA	Samples
SN5400J	ACTIVE	CDIP	J	14	25	Non-RoHS & Green	SNPB	N / A for Pkg Type	-55 to 125	SN5400J	Samples
SN54LS00J	ACTIVE	CDIP	J	14	25	Non-RoHS & Green	SNPB	N / A for Pkg Type	-55 to 125	SN54LS00J	Samples
SN54S00J	ACTIVE	CDIP	J	14	25	Non-RoHS & Green	SNPB	N / A for Pkg Type	-55 to 125	SN54S00J	Samples
SN7400D	ACTIVE	SOIC	D	14	50	RoHS & Green	NIPDAU	Level-1-260C-UNLIM	0 to 70	7400	Samples
SN7400DG4	ACTIVE	SOIC	D	14	50	RoHS & Green	NIPDAU	Level-1-260C-UNLIM	0 to 70	7400	Samples
SN7400N	ACTIVE	PDIP	N	14	25	RoHS & Green	NIPDAU	N / A for Pkg Type	0 to 70	SN7400N	Samples
SN7400NE4	ACTIVE	PDIP	N	14	25	RoHS & Green	NIPDAU	N / A for Pkg Type	0 to 70	SN7400N	Samples
SN74LS00DBR	ACTIVE	SSOP	DB	14	2000	RoHS & Green	NIPDAU	Level-1-260C-UNLIM	0 to 70	LS00	Samples
SN74LS00DR	ACTIVE	SOIC	D	14	2500	RoHS & Green	NIPDAU	Level-1-260C-UNLIM	0 to 70	LS00	Samples
SN74LS00N	ACTIVE	PDIP	N	14	25	RoHS & Green	NIPDAU	N / A for Pkg Type	0 to 70	SN74LS00N	Samples
SN74LS00NE4	ACTIVE	PDIP	N	14	25	RoHS & Green	NIPDAU	N / A for Pkg Type	0 to 70	SN74LS00N	Samples
SN74LS00NS	OBSOLETE	SO	NS	14		TBD	Call TI	Call TI	0 to 70	74LS00	
SN74LS00NSR	ACTIVE	SO	NS	14	2000	RoHS & Green	NIPDAU	Level-1-260C-UNLIM	0 to 70	74LS00	Samples
SN74LS00NSRG4	ACTIVE	SO	NS	14	2000	RoHS & Green	NIPDAU	Level-1-260C-UNLIM	0 to 70	74LS00	Samples
SN74LS00PSR	ACTIVE	SO	PS	8	2000	RoHS & Green	NIPDAU	Level-1-260C-UNLIM	0 to 70	LS00	Samples
SN74S00D	ACTIVE	SOIC	D	14	50	RoHS & Green	NIPDAU	Level-1-260C-UNLIM	0 to 70	S00	Samples
SN74S00N	ACTIVE	PDIP	N	14	25	RoHS & Green	NIPDAU	N / A for Pkg Type	0 to 70	SN74S00N	Samples
SNJ5400J	ACTIVE	CDIP	J	14	25	Non-RoHS & Green	SNPB	N / A for Pkg Type	-55 to 125	SNJ5400J	Samples

Orderable Device	Status (1)	Package Type	Package Drawing	Pins	Package Qty	Eco Plan (2)	Lead finish/ Ball material (6)	MSL Peak Temp (3)	Op Temp (°C)	Device Marking (4/5)	Samples
SNJ5400W	ACTIVE	CFP	W	14	25	Non-RoHS & Green	SNPB	N / A for Pkg Type	-55 to 125	SNJ5400W	Samples
SNJ54LS00FK	ACTIVE	LCCC	FK	20	55	Non-RoHS & Green	SNPB	N / A for Pkg Type	-55 to 125	SNJ54LS00FK	Samples
SNJ54LS00J	ACTIVE	CDIP	J	14	25	Non-RoHS & Green	SNPB	N / A for Pkg Type	-55 to 125	SNJ54LS00J	Samples
SNJ54LS00W	ACTIVE	CFP	W	14	25	Non-RoHS & Green	SNPB	N / A for Pkg Type	-55 to 125	SNJ54LS00W	Samples
SNJ54S00FK	ACTIVE	LCCC	FK	20	55	Non-RoHS & Green	SNPB	N / A for Pkg Type	-55 to 125	SNJ54S00FK	Samples
SNJ54S00J	ACTIVE	CDIP	J	14	25	Non-RoHS & Green	SNPB	N / A for Pkg Type	-55 to 125	SNJ54S00J	Samples
SNJ54S00W	ACTIVE	CFP	W	14	25	Non-RoHS & Green	SNPB	N / A for Pkg Type	-55 to 125	SNJ54S00W	Samples

(1) The marketing status values are defined as follows:

ACTIVE: Product device recommended for new designs.

LIFEBUY: TI has announced that the device will be discontinued, and a lifetime-buy period is in effect.

NRND: Not recommended for new designs. Device is in production to support existing customers, but TI does not recommend using this part in a new design.

PREVIEW: Device has been announced but is not in production. Samples may or may not be available.

OBSOLETE: TI has discontinued the production of the device.

(2) **RoHS:** TI defines "RoHS" to mean semiconductor products that are compliant with the current EU RoHS requirements for all 10 RoHS substances, including the requirement that RoHS substance do not exceed 0.1% by weight in homogeneous materials. Where designed to be soldered at high temperatures, "RoHS" products are suitable for use in specified lead-free processes. TI may reference these types of products as "Pb-Free".

RoHS Exempt: TI defines "RoHS Exempt" to mean products that contain lead but are compliant with EU RoHS pursuant to a specific EU RoHS exemption.

Green: TI defines "Green" to mean the content of Chlorine (Cl) and Bromine (Br) based flame retardants meet JS709B low halogen requirements of <=1000ppm threshold. Antimony trioxide based flame retardants must also meet the <=1000ppm threshold requirement.

(3) MSL, Peak Temp. - The Moisture Sensitivity Level rating according to the JEDEC industry standard classifications, and peak solder temperature.

(4) There may be additional marking, which relates to the logo, the lot trace code information, or the environmental category on the device.

(5) Multiple Device Markings will be inside parentheses. Only one Device Marking contained in parentheses and separated by a "~" will appear on a device. If a line is indented then it is a continuation of the previous line and the two combined represent the entire Device Marking for that device.

(6) Lead finish/Ball material - Orderable Devices may have multiple material finish options. Finish options are separated by a vertical ruled line. Lead finish/Ball material values may wrap to two lines if the finish value exceeds the maximum column width.

Important Information and Disclaimer:The information provided on this page represents TI's knowledge and belief as of the date that it is provided. TI bases its knowledge and belief on information provided by third parties, and makes no representation or warranty as to the accuracy of such information. Efforts are underway to better integrate information from third parties. TI has taken and continues to take reasonable steps to provide representative and accurate information but may not have conducted destructive testing or chemical analysis on incoming materials and chemicals. TI and TI suppliers consider certain information to be proprietary, and thus CAS numbers and other limited information may not be available for release.

In no event shall TI's liability arising out of such information exceed the total purchase price of the TI part(s) at issue in this document sold by TI to Customer on an annual basis.

OTHER QUALIFIED VERSIONS OF SN5400, SN54LS00, SN54LS00-SP, SN54S00, SN7400, SN74LS00, SN74S00 :

- Catalog : [SN7400](#), [SN74LS00](#), [SN54LS00](#), [SN74S00](#)

- Military : [SN5400](#), [SN54LS00](#), [SN54S00](#)

- Space : [SN54LS00-SP](#)

NOTE: Qualified Version Definitions:

- Catalog - TI's standard catalog product

- Military - QML certified for Military and Defense Applications

- Space - Radiation tolerant, ceramic packaging and qualified for use in Space-based application

TAPE AND REEL INFORMATION

QUADRANT ASSIGNMENTS FOR PIN 1 ORIENTATION IN TAPE


*All dimensions are nominal

Device	Package Type	Package Drawing	Pins	SPQ	Reel Diameter (mm)	Reel Width W1 (mm)	A0 (mm)	B0 (mm)	K0 (mm)	P1 (mm)	W (mm)	Pin1 Quadrant
SN74LS00DBR	SSOP	DB	14	2000	330.0	16.4	8.35	6.6	2.4	12.0	16.0	Q1
SN74LS00DR	SOIC	D	14	2500	330.0	16.4	6.5	9.0	2.1	8.0	16.0	Q1
SN74LS00NSR	SO	NS	14	2000	330.0	16.4	8.2	10.5	2.5	12.0	16.0	Q1
SN74LS00PSR	SO	PS	8	2000	330.0	16.4	8.35	6.6	2.4	12.0	16.0	Q1

TAPE AND REEL BOX DIMENSIONS



*All dimensions are nominal

Device	Package Type	Package Drawing	Pins	SPQ	Length (mm)	Width (mm)	Height (mm)
SN74LS00DBR	SSOP	DB	14	2000	356.0	356.0	35.0
SN74LS00DR	SOIC	D	14	2500	356.0	356.0	35.0
SN74LS00NSR	SO	NS	14	2000	356.0	356.0	35.0
SN74LS00PSR	SO	PS	8	2000	356.0	356.0	35.0

TUBE


*All dimensions are nominal

Device	Package Name	Package Type	Pins	SPQ	L (mm)	W (mm)	T (µm)	B (mm)
JM38510/00104BDA	W	CFP	14	25	506.98	26.16	6220	NA
JM38510/07001BDA	W	CFP	14	25	506.98	26.16	6220	NA
JM38510/30001BDA	W	CFP	14	25	506.98	26.16	6220	NA
JM38510/30001SDA	W	CFP	14	25	506.98	26.16	6220	NA
M38510/00104BDA	W	CFP	14	25	506.98	26.16	6220	NA
M38510/07001BDA	W	CFP	14	25	506.98	26.16	6220	NA
M38510/30001BDA	W	CFP	14	25	506.98	26.16	6220	NA
M38510/30001SDA	W	CFP	14	25	506.98	26.16	6220	NA
SN7400D	D	SOIC	14	50	506.6	8	3940	4.32
SN7400DG4	D	SOIC	14	50	506.6	8	3940	4.32
SN7400N	N	PDIP	14	25	506	13.97	11230	4.32
SN7400N	N	PDIP	14	25	506	13.97	11230	4.32
SN7400NE4	N	PDIP	14	25	506	13.97	11230	4.32
SN7400NE4	N	PDIP	14	25	506	13.97	11230	4.32
SN74LS00N	N	PDIP	14	25	506	13.97	11230	4.32
SN74LS00N	N	PDIP	14	25	506	13.97	11230	4.32
SN74LS00NE4	N	PDIP	14	25	506	13.97	11230	4.32
SN74LS00NE4	N	PDIP	14	25	506	13.97	11230	4.32
SN74S00D	D	SOIC	14	50	506.6	8	3940	4.32
SN74S00N	N	PDIP	14	25	506	13.97	11230	4.32
SN74S00N	N	PDIP	14	25	506	13.97	11230	4.32
SNJ5400W	W	CFP	14	25	506.98	26.16	6220	NA
SNJ54LS00FK	FK	LCCC	20	55	506.98	12.06	2030	NA
SNJ54LS00W	W	CFP	14	25	506.98	26.16	6220	NA
SNJ54S00FK	FK	LCCC	20	55	506.98	12.06	2030	NA

W (R-GDFP-F14)

CERAMIC DUAL FLATPACK



- NOTES:
- A. All linear dimensions are in inches (millimeters).
 - B. This drawing is subject to change without notice.
 - C. This package can be hermetically sealed with a ceramic lid using glass frit.
 - D. Index point is provided on cap for terminal identification only.
 - E. Falls within MIL STD 1835 GDFP1-F14

DB0014A



PACKAGE OUTLINE

SSOP - 2 mm max height

SMALL OUTLINE PACKAGE



NOTES:

1. All linear dimensions are in millimeters. Any dimensions in parenthesis are for reference only. Dimensioning and tolerancing per ASME Y14.5M.
2. This drawing is subject to change without notice.
3. This dimension does not include mold flash, protrusions, or gate burrs. Mold flash, protrusions, or gate burrs shall not exceed 0.15 mm per side.
4. Reference JEDEC registration MO-150.

EXAMPLE BOARD LAYOUT

DB0014A

SSOP - 2 mm max height

SMALL OUTLINE PACKAGE



LAND PATTERN EXAMPLE
EXPOSED METAL SHOWN
SCALE: 10X



4220762/A 05/2024

NOTES: (continued)

- 5. Publication IPC-7351 may have alternate designs.
- 6. Solder mask tolerances between and around signal pads can vary based on board fabrication site.

EXAMPLE STENCIL DESIGN

DB0014A

SSOP - 2 mm max height

SMALL OUTLINE PACKAGE



SOLDER PASTE EXAMPLE
BASED ON 0.125 mm THICK STENCIL
SCALE: 10X

4220762/A 05/2024

NOTES: (continued)

7. Laser cutting apertures with trapezoidal walls and rounded corners may offer better paste release. IPC-7525 may have alternate design recommendations.
8. Board assembly site may have different recommendations for stencil design.

GENERIC PACKAGE VIEW

FK 20

LCCC - 2.03 mm max height

8.89 x 8.89, 1.27 mm pitch

LEADLESS CERAMIC CHIP CARRIER

This image is a representation of the package family, actual package may vary.
Refer to the product data sheet for package details.



4229370VA\

J 14

GENERIC PACKAGE VIEW
CDIP - 5.08 mm max height
CERAMIC DUAL IN LINE PACKAGE



Images above are just a representation of the package family, actual package may vary.
Refer to the product data sheet for package details.

4040083-5/G

J0014A



PACKAGE OUTLINE

CDIP - 5.08 mm max height

CERAMIC DUAL IN LINE PACKAGE



4214771/A 05/2017

NOTES:

1. All controlling linear dimensions are in inches. Dimensions in brackets are in millimeters. Any dimension in brackets or parenthesis are for reference only. Dimensioning and tolerancing per ASME Y14.5M.
2. This drawing is subject to change without notice.
3. This package is hermetically sealed with a ceramic lid using glass frit.
4. Index point is provided on cap for terminal identification only and on press ceramic glass frit seal only.
5. Falls within MIL-STD-1835 and GDIP1-T14.

EXAMPLE BOARD LAYOUT

J0014A

CDIP - 5.08 mm max height

CERAMIC DUAL IN LINE PACKAGE



LAND PATTERN EXAMPLE
NON-SOLDER MASK DEFINED
SCALE: 5X



4214771/A 05/2017

D (R-PDSO-G14)

PLASTIC SMALL OUTLINE



- NOTES:
- A. All linear dimensions are in inches (millimeters).
 - B. This drawing is subject to change without notice.
 -  Body length does not include mold flash, protrusions, or gate burrs. Mold flash, protrusions, or gate burrs shall not exceed 0.006 (0,15) each side.
 -  Body width does not include interlead flash. Interlead flash shall not exceed 0.017 (0,43) each side.
 - E. Reference JEDEC MS-012 variation AB.

D (R-PDSO-G14)

PLASTIC SMALL OUTLINE



- NOTES:
- A. All linear dimensions are in millimeters.
 - B. This drawing is subject to change without notice.
 - C. Publication IPC-7351 is recommended for alternate designs.
 - D. Laser cutting apertures with trapezoidal walls and also rounding corners will offer better paste release. Customers should contact their board assembly site for stencil design recommendations. Refer to IPC-7525 for other stencil recommendations.
 - E. Customers should contact their board fabrication site for solder mask tolerances between and around signal pads.

MECHANICAL DATA

PS (R-PDSO-G8)

PLASTIC SMALL-OUTLINE PACKAGE



- NOTES:
- A. All linear dimensions are in millimeters.
 - B. This drawing is subject to change without notice.
 - C. Body dimensions do not include mold flash or protrusion, not to exceed 0,15.

PS (R-PDSO-G8)

PLASTIC SMALL OUTLINE



- NOTES:
- A. All linear dimensions are in millimeters.
 - B. This drawing is subject to change without notice.
 - C. Publication IPC-7351 is recommended for alternate designs.
 - D. Laser cutting apertures with trapezoidal walls and also rounding corners will offer better paste release. Customers should contact their board assembly site for stencil design recommendations. Refer to IPC-7525 for other stencil recommendations.
 - E. Customers should contact their board fabrication site for solder mask tolerances between and around signal pads.

N (R-PDIP-T**)

PLASTIC DUAL-IN-LINE PACKAGE

16 PINS SHOWN



- NOTES:
- A. All linear dimensions are in inches (millimeters).
 - B. This drawing is subject to change without notice.
 - $\triangle C$ Falls within JEDEC MS-001, except 18 and 20 pin minimum body length (Dim A).
 - $\triangle D$ The 20 pin end lead shoulder width is a vendor option, either half or full width.

4040049/E 12/2002

MECHANICAL DATA

NS (R-PDSO-G**)

PLASTIC SMALL-OUTLINE PACKAGE

14-PINS SHOWN



- NOTES:
- A. All linear dimensions are in millimeters.
 - B. This drawing is subject to change without notice.
 - C. Body dimensions do not include mold flash or protrusion, not to exceed 0,15.

IMPORTANT NOTICE AND DISCLAIMER

TI PROVIDES TECHNICAL AND RELIABILITY DATA (INCLUDING DATA SHEETS), DESIGN RESOURCES (INCLUDING REFERENCE DESIGNS), APPLICATION OR OTHER DESIGN ADVICE, WEB TOOLS, SAFETY INFORMATION, AND OTHER RESOURCES "AS IS" AND WITH ALL FAULTS, AND DISCLAIMS ALL WARRANTIES, EXPRESS AND IMPLIED, INCLUDING WITHOUT LIMITATION ANY IMPLIED WARRANTIES OF MERCHANTABILITY, FITNESS FOR A PARTICULAR PURPOSE OR NON-INFRINGEMENT OF THIRD PARTY INTELLECTUAL PROPERTY RIGHTS.

These resources are intended for skilled developers designing with TI products. You are solely responsible for (1) selecting the appropriate TI products for your application, (2) designing, validating and testing your application, and (3) ensuring your application meets applicable standards, and any other safety, security, regulatory or other requirements.

These resources are subject to change without notice. TI grants you permission to use these resources only for development of an application that uses the TI products described in the resource. Other reproduction and display of these resources is prohibited. No license is granted to any other TI intellectual property right or to any third party intellectual property right. TI disclaims responsibility for, and you will fully indemnify TI and its representatives against, any claims, damages, costs, losses, and liabilities arising out of your use of these resources.

TI's products are provided subject to [TI's Terms of Sale](#) or other applicable terms available either on [ti.com](https://www.ti.com) or provided in conjunction with such TI products. TI's provision of these resources does not expand or otherwise alter TI's applicable warranties or warranty disclaimers for TI products.

TI objects to and rejects any additional or different terms you may have proposed.

Mailing Address: Texas Instruments, Post Office Box 655303, Dallas, Texas 75265
Copyright © 2024, Texas Instruments Incorporated