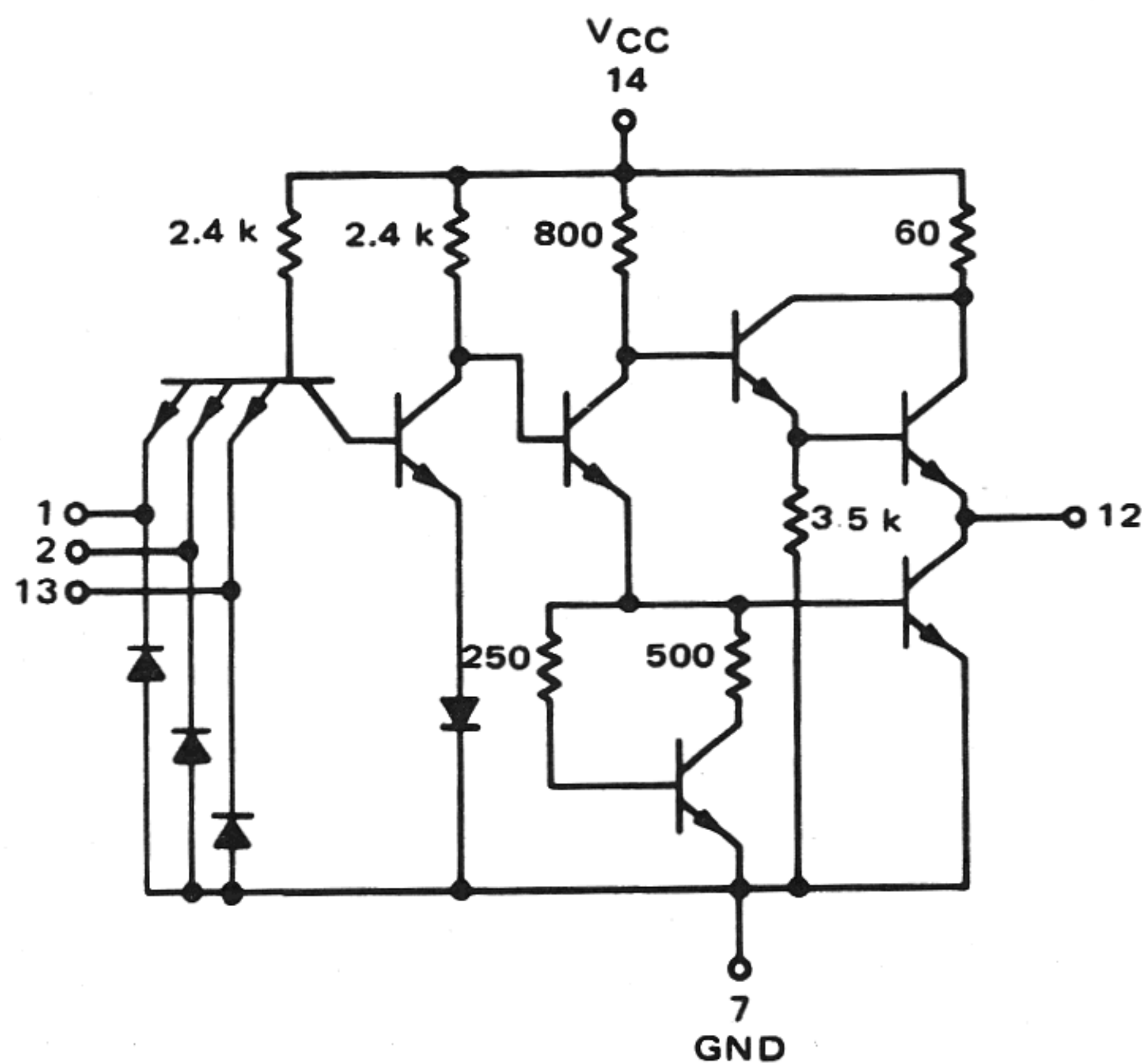


TRIPLE 3-INPUT "AND" GATE

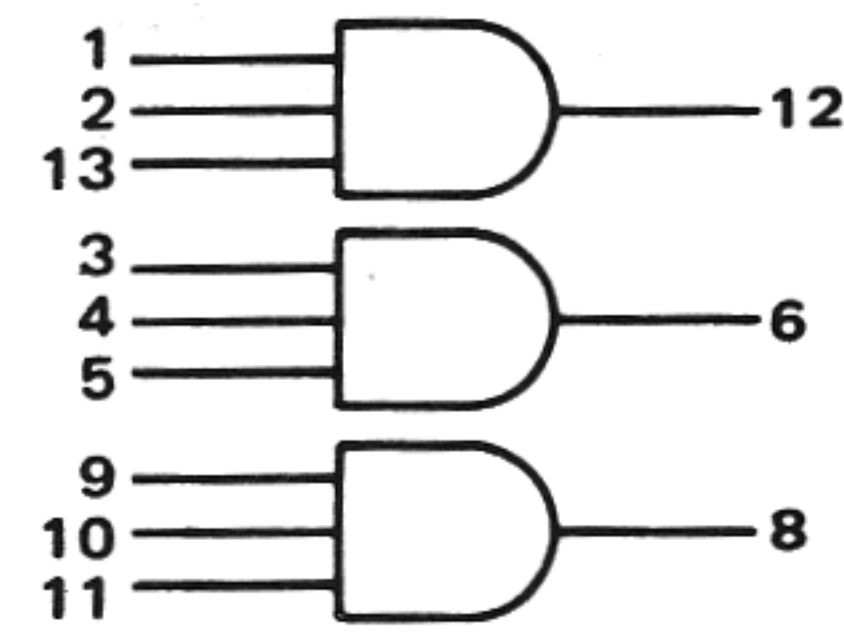
MTTL III MC3100/3000 series

MC3106F • MC3006F
MC3106L • MC3006L,P
 (54H11J) (74H11J,N)

1/3 OF CIRCUIT SHOWN



This device consists of three 3-input AND gates. This non-inverting function is useful for optimizing logic design, or for direct implementation of standard logic equations.



Positive Logic: $12 = 1 \cdot 2 \cdot 13$
 Negative Logic: $12 = 1 + 2 + 13$

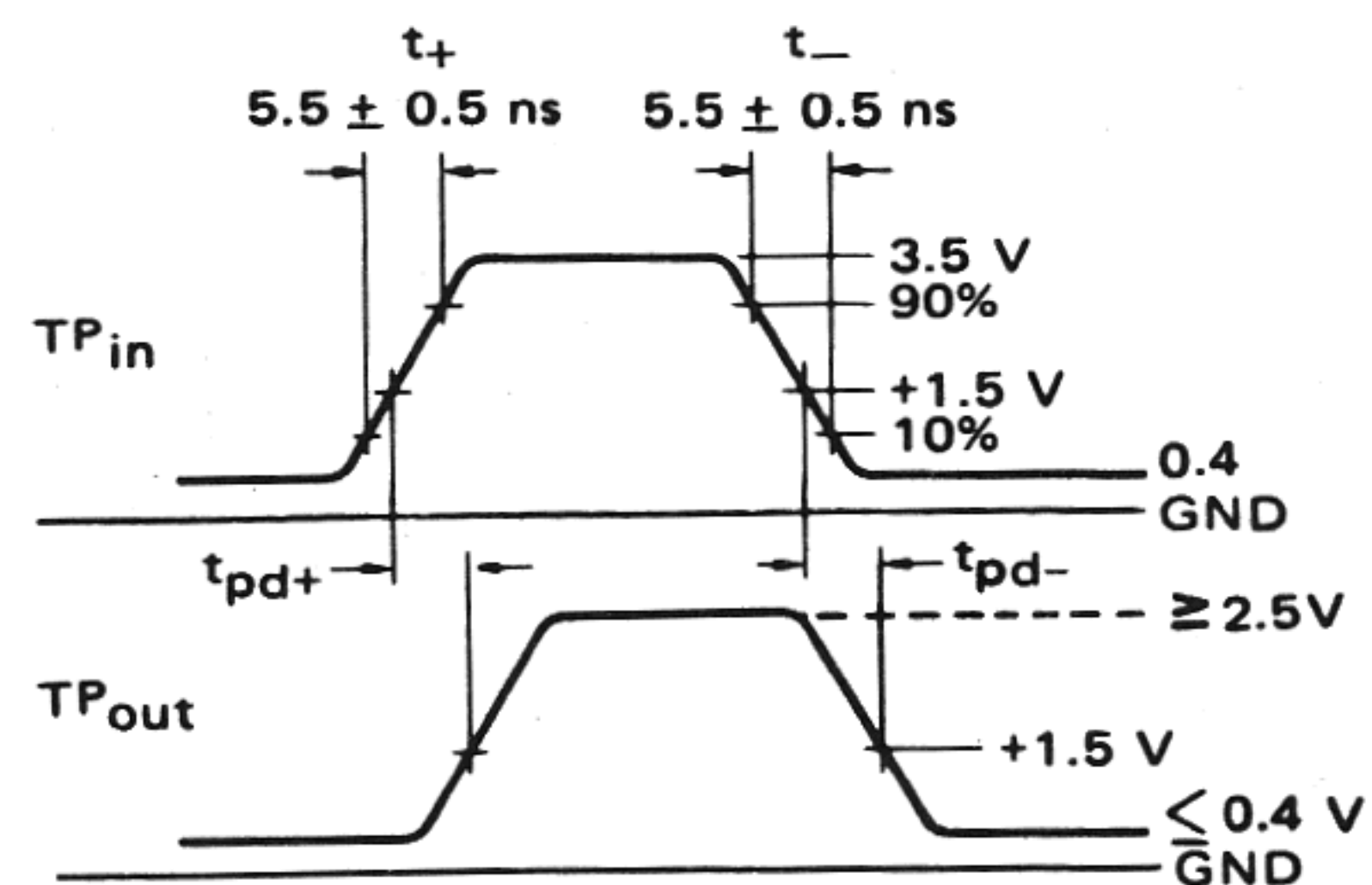
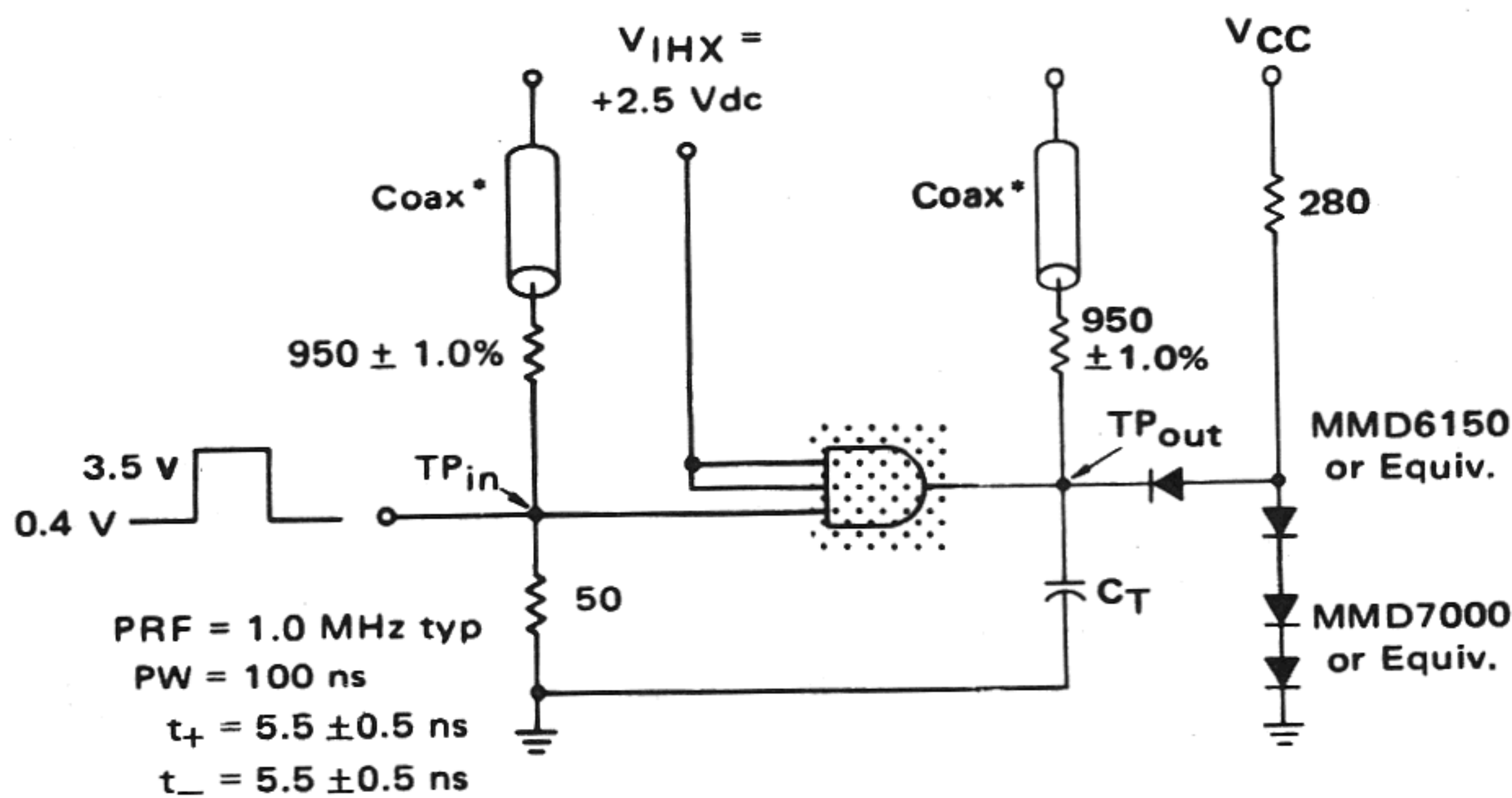
Input Loading Factor = 1
 Output Loading Factor = 10

Total Power Dissipation = 84 mW typ/pkg
 Propagation Delay Time = 9.0 ns typ

www.datasheetcatalog.com

SWITCHING TIME TEST CIRCUIT

VOLTAGE WAVEFORMS AND DEFINITIONS



*The coax delays from input to scope and output to scope must be matched. The scope must be terminated in 50-ohm impedance. The 950-ohm resistor and the scope termination impedance constitute a 20:1 attenuator probe. Coax shall be CT-070-50 or equivalent.

$C_T = 25 \text{ pF}$ = total parasitic capacitance, which includes probe, wiring, and load capacitances.

