

Integrated Circuits

Series II HL TTL

Function	Fan Out	Industrial Range 0 to +75°C	Military Range -55°C to +125°C	Packages	Pinning	
					VCC	GND
Charge storage J-K flip-flop AND inputs	10	TFF3242 (TF252)	TFF3241 (TF250)	IG65, IG74	4	10
	5	TFF3244 (TF253)	TFF3243 (TF251)			
Charge storage J-K flip-flop (OR inputs)	10	TFF3342 (TF262)	TFF3341 (TF260)	IG65, IG74	4	10
	5	TFF3344 (TF263)	TFF3343 (TF261)			
Charge storage J-K flip-flop (Enable OR inputs)	10	TFF3442	TFF3441	IG65, IG74	4	10
	5	TFF3444	TFF3443			
Charge storage Dual J-K flip-flop (35 MHz separate clock)	10	TFF3222 (TF102)	TFF3221 (TF100)	IG65, IG74	4	10
	5	TFF3224 (TF103)	TFF3223 (TF101)			
Charge storage Dual J-K flip-flop (35 MHz common clock)	10	TFF3226 (TF112)	TFF3225 (TF110)	IG65, IG74	4	10
	5	TFF3228 (TF113)	TFF3227 (TF111)			
Charge storage Dual J-K flip-flop (50 MHz separate clock)	10	TFF3252 (TF122)	TFF3251 (TF120)	IG65, IG74	4	10
	5	TFF3254 (TF123)	TFF3253 (TF121)			
Charge storage Dual J-K flip-flop (50 MHz common clock)	10	TFF3256 (TF132)	TFF3255 (TF130)	IG65, IG74	4	10
	5	TFF3258 (TF133)	TFF3257 (TF131)			

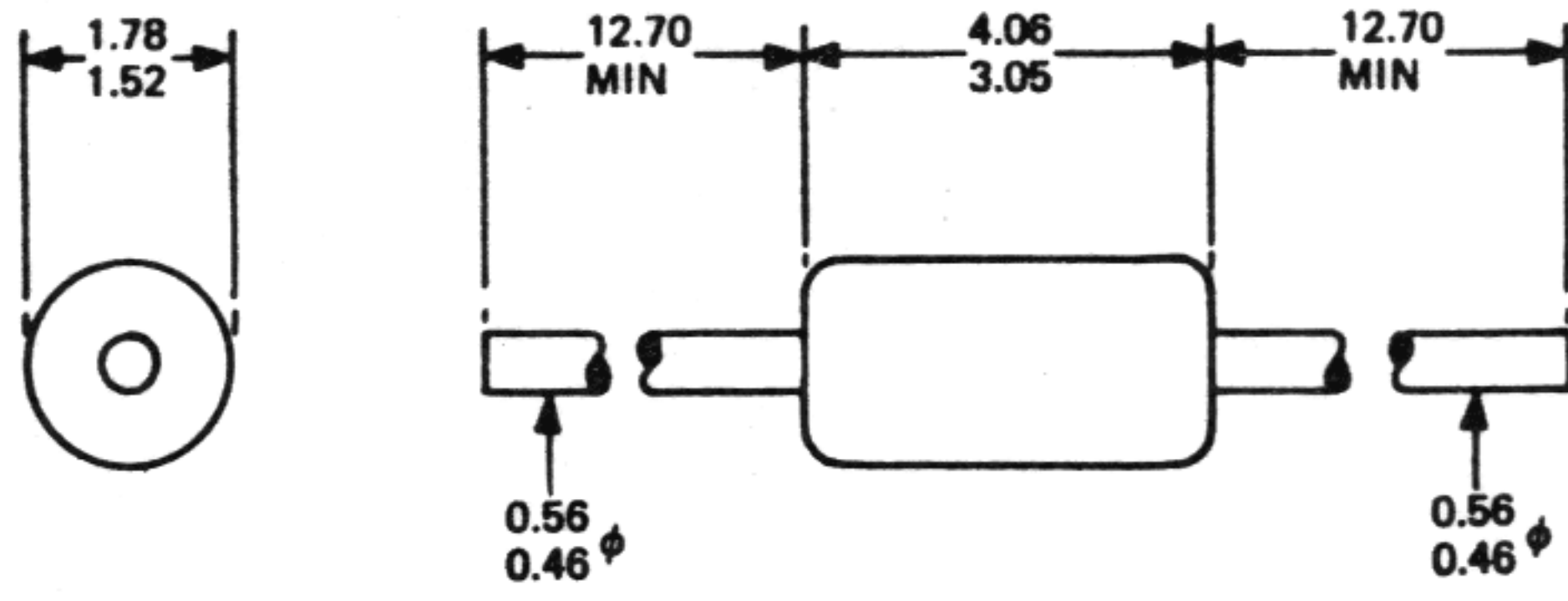
NOTE: Fan out is specified 5/10 Series II input loads or 15/7 Series I input loads.
In case of use with MC/SG, SF,/or RM type products fan out should be changed accordingly

Complex Functions

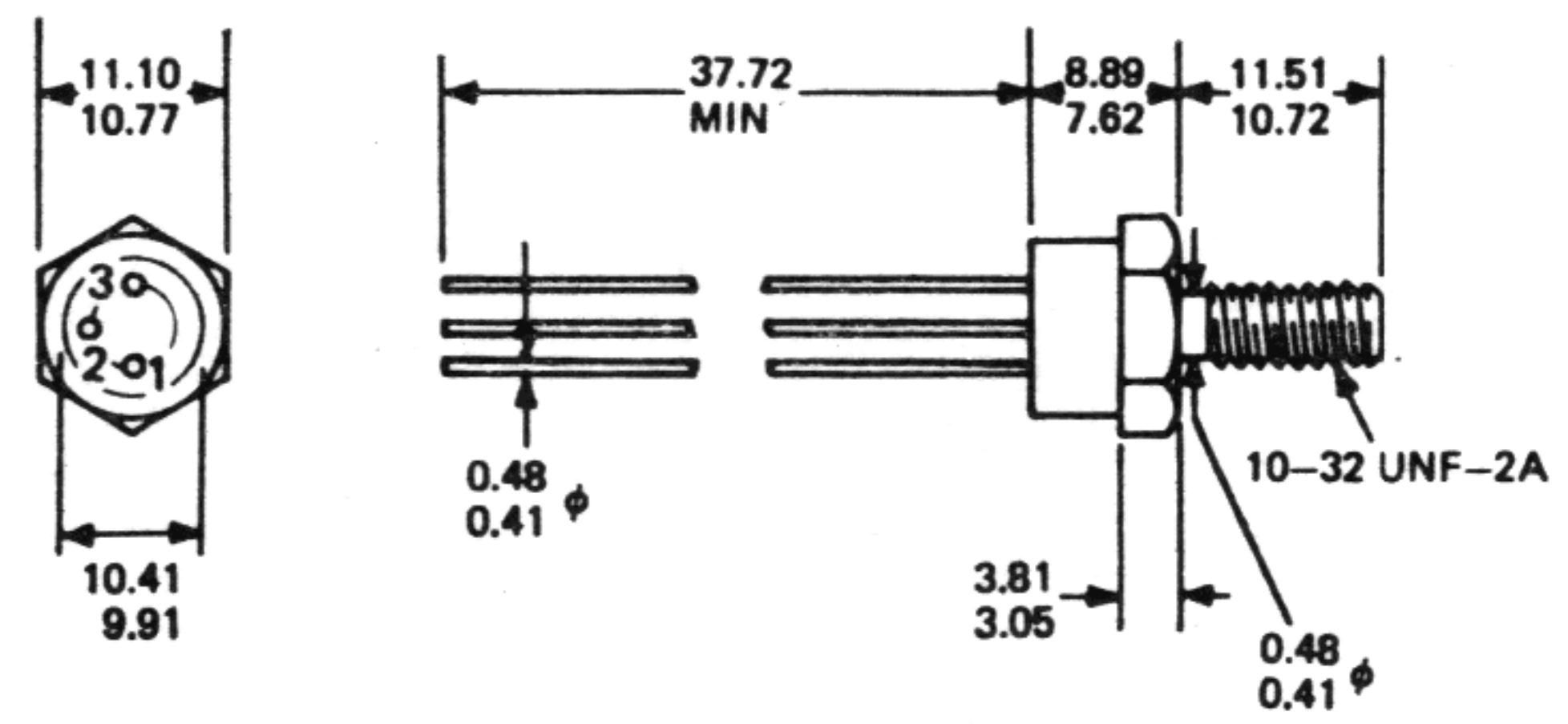
Series III HL TTL

Function	Fan Out	Industrial Range 0 to +75°C	Military Range -55°C to +125°C	Packages
16-bit Memory Cell	40mA	TMC3162 (TM82)	—	J, E, F
	20mA	TMC3164 (TM83)	TMC 3163 (TM81)	
16-bit Low Power Memory Cell	40mA	TMC3262	—	J, E, F
	20mA	TMC3264	TMC3263	
64-bit Memory Cell	10mA	TMC6464	—	J, E
4-bit Binary Counter (Presettable)	20mA	TRC2512 (TC12)	TRC2511 (TC11)	J, E, F
	10mA	TRC2514 (TC14)	TRC2513 (TC13)	
4-bit BCD Counter (Presettable)	20mA	TRC2516 (TC16)	TRC2515 (TC15)	J, E, F
	10mA	TRC2518 (TC18)	TRC2517 (TC17)	
4-bit Binary Counter (Presettable)	20mA	TRC2522	TRC2521	J, E, F
	10mA	TRC2524	TRC2523	
4-bit BCD Counter (Presettable)	20mA	TRC2526	TRC2525	J, E, F
	10mA	TRC2528	TRC2527	
Binary Counter/Storage Element	6-4mA	TC748281	TC548281	J, E, F
Divide-by-twelve Counter	20mA	TRC2532	TRC2531	J, E, F
	10mA	TRC2534	TRC2533	
4-bit Shift Register (non-resettable)	20mA	TSR2512	TSR2511	J, E, F
	10mA	TSR2514	TSR2513	
4-bit Shift Register with reset	20mA	TSR2522	TSR2521	J, E, F
	10mA	TSR2524	TSR2523	
4-bit Shift Register	20mA	TSR2516	TSR2515	J, E, F
	10mA	TSR2518	TSR2517	
4-bit Shift Register with Reset	20mA	TSR2526	TSR2525	J, E, F
	10mA	TSR2528	TSR2527	
4-bit Storage Register	20mA	TR61	TR60	J, E, F
	10mA	TR63	TR62	
4-bit Storage Register, Bus Transfer Output	20mA	TR71	TR70	J, E, F
	10mA	TR73	TR72	
Full Adder		TA12	TA10	J, E, F
		TA13	TA11	
Dependent Carry Fast Adder		TA22	TA20	J, E, F
		TA23	TA21	
Independent Carry Fast Adder		TA32	TA30	J, E, F
		TA33	TA31	
Carry Decoder		TD42	TD40	

JEDEC DO-35 OUTLINE

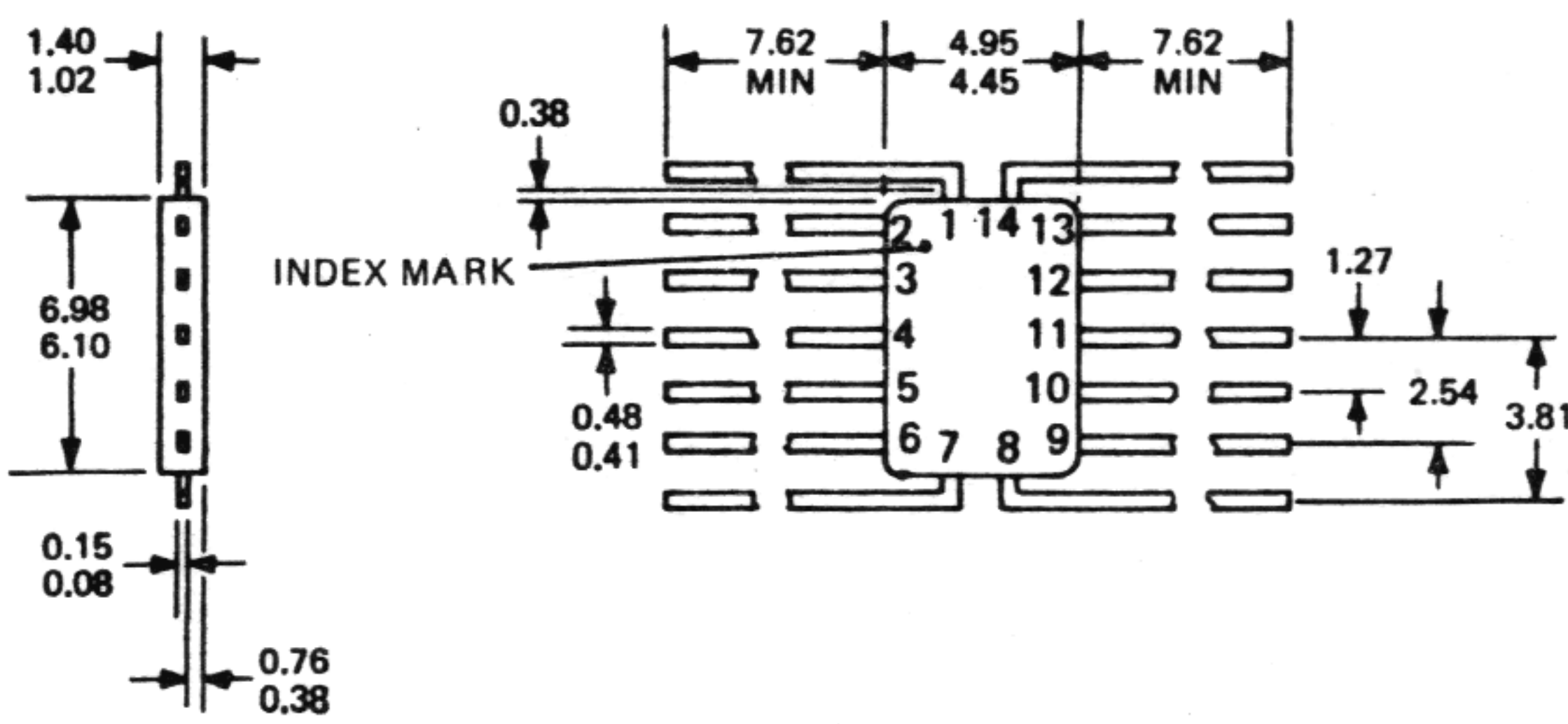


TRANSITRON 1G-32 OUTLINE

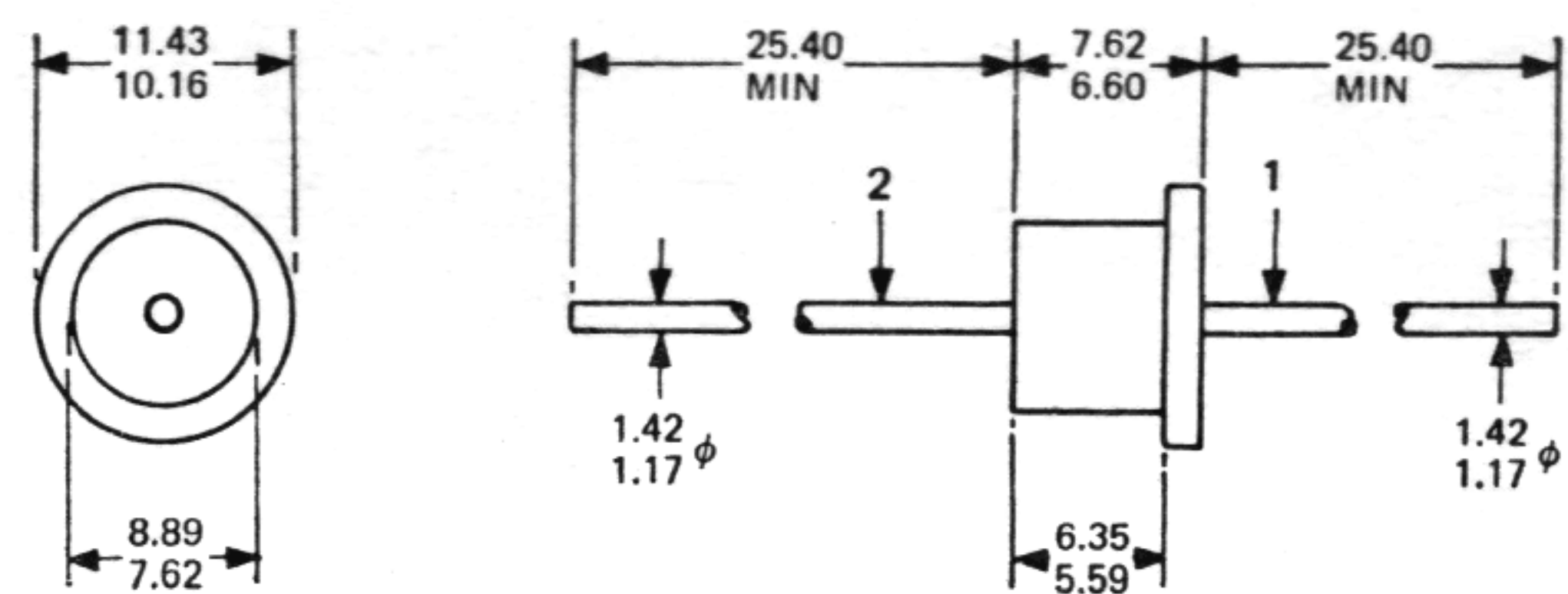


INTERNAL CONNECTIONS
1. EMITTER 2. BASE 3. COLLECTOR
TERMINAL 3 IS CONNECTED TO CASE

TRANSITRON 1G-65 OUTLINE

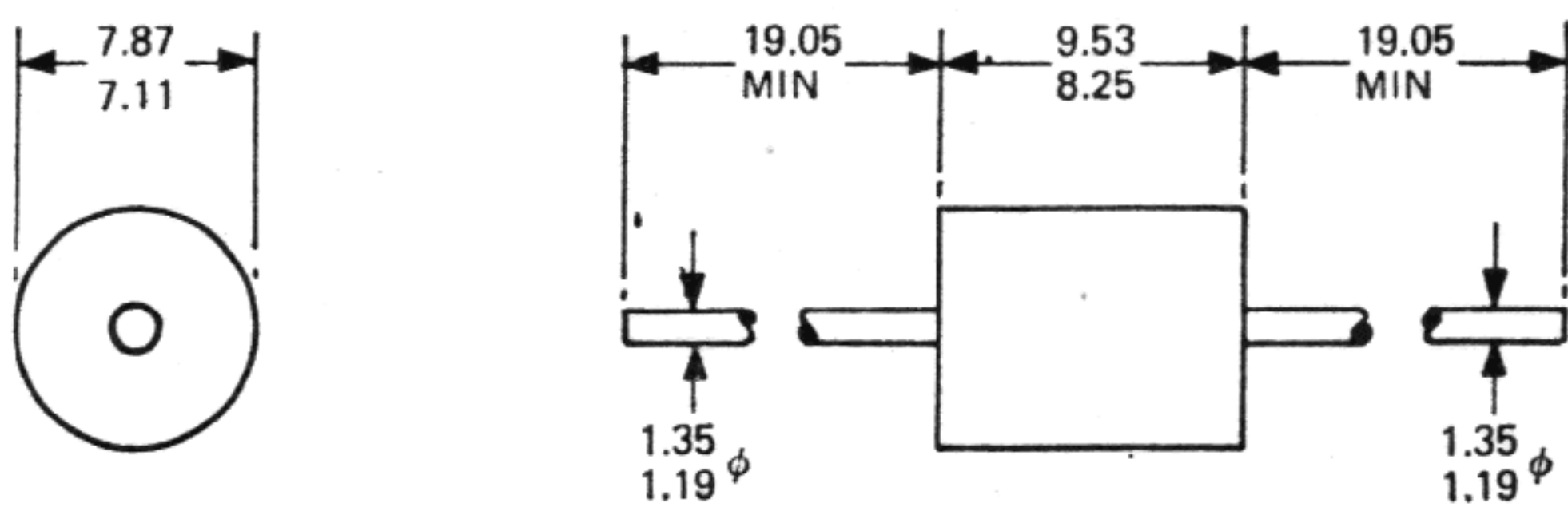


TRANSITRON 1G-76 OUTLINE

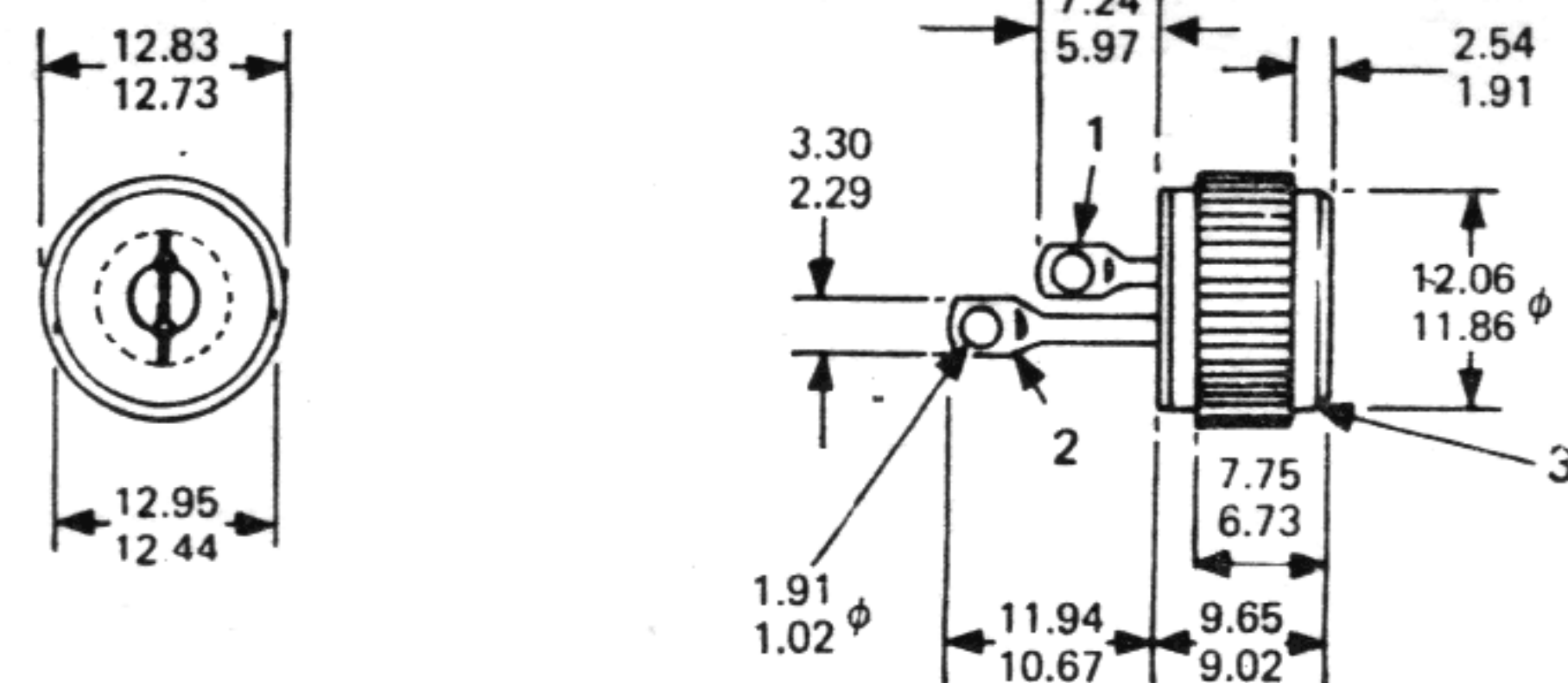


INTERNAL CONNECTIONS
1. ANODE 2. CATHODE
TERMINAL 2 IS CONNECTED TO CASE

TRANSITRON 1G-106 OUTLINE

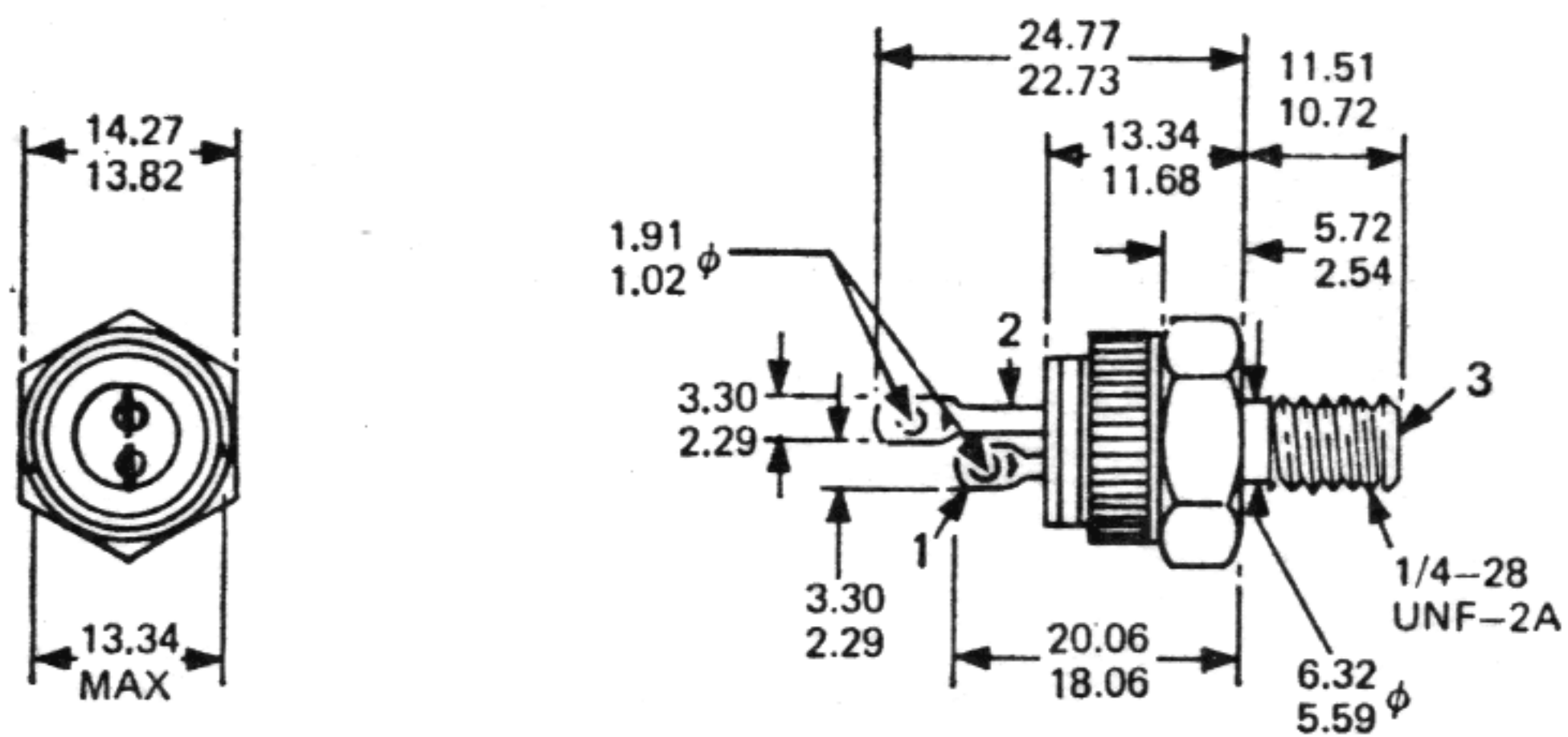


TRANSITRON 1G-111 OUTLINE



INTERNAL CONNECTIONS
SCR 1. GATE 2. CATHODE 3. ANODE
TRIAC 1. GATE 2. MT₁ 3. MT₂

TRANSITRON 1G-114 OUTLINE



INTERNAL CONNECTIONS
SCR 1. GATE 2. CATHODE 3. ANODE
TRIAC 1. GATE 2. MT₁ 3. MT₂

TRANSITRON 1G-118 EPOXY OUTLINE

