



**MOTOROLA**  
Semiconductors

**MC1558 MC1558N**  
**MC1458 MC1458N**  
**MC1458C**

**DUAL MC1741**  
**INTERNALLY COMPENSATED, HIGH PERFORMANCE**  
**MONOLITHIC OPERATIONAL AMPLIFIERS**

... designed for use as a summing amplifier, integrator, or amplifier with operating characteristics as a function of the external feedback components.

- No Frequency Compensation Required
- Short-Circuit Protection
- Wide Common-Mode and Differential Voltage Ranges
- Low-Power Consumption
- No Latch Up
- Low Noise Selections Offered – N Suffix

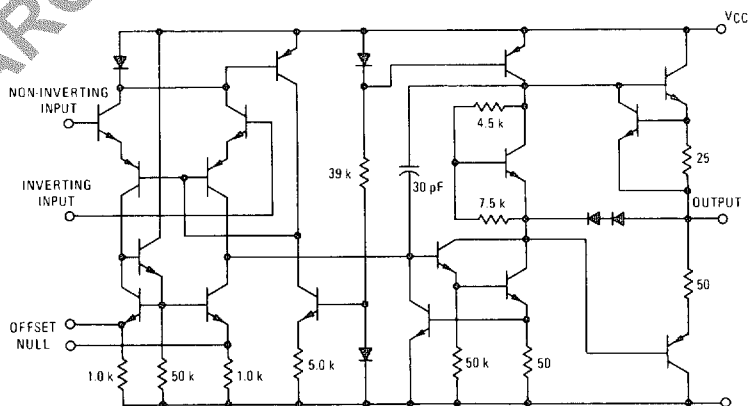
**MAXIMUM RATINGS** ( $T_A = +25^\circ\text{C}$  unless otherwise noted)

Rating	Symbol	MC1458	MC1558	Unit
Power Supply Voltage	$V_{CC}$ $V_{EE}$	+18 18	+22 -22	Vdc Vdc
Input Differential Voltage	$V_{ID}$	±30		Volts
Input Common Mode Voltage (Note 1)	$V_{ICM}$	+15		Volts
Output Short Circuit Duration (Note 2)	$t_S$	Continuous		
Operating Ambient Temperature Range	$T_A$	0 to +70	-55 to +125	$^\circ\text{C}$
Storage Temperature Range	$T_{stg}$			$^\circ\text{C}$
Metal, Flat and Ceramic Packages		-65 to +150		
Plastic Packages		-55 to +125		
Junction Temperature	$T_J$			$^\circ\text{C}$
Metal and Ceramic Package		175		
Plastic Package		150		

Note 1. For supply voltages less than ± 15 V, the absolute maximum input voltage is equal to the supply voltage.

Note 2. Supply voltage equal to or less than 15 V.

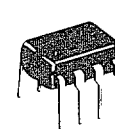
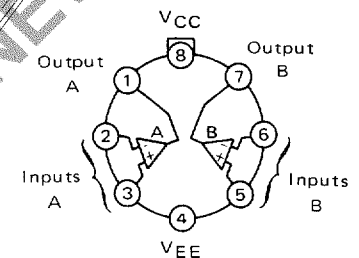
**EQUIVALENT CIRCUIT SCHEMATIC**



(DUAL MC1741)

**DUAL**  
**OPERATIONAL AMPLIFIER**  
**SILICON MONOLITHIC**  
**INTEGRATED CIRCUIT**

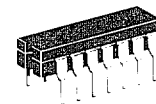
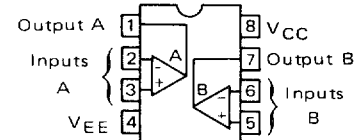
**G SUFFIX**  
METAL PACKAGE  
CASE 601



**P1 SUFFIX**  
PLASTIC PACKAGE  
CASE 626  
(MC1458, MC1458C, MC1458N)

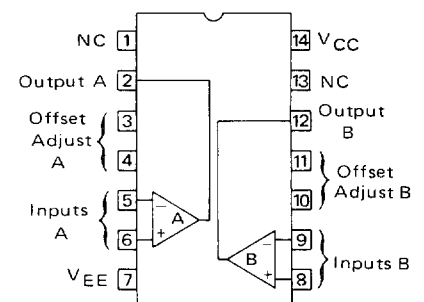


**U SUFFIX**  
CERAMIC PACKAGE  
CASE 693



**L SUFFIX**  
CERAMIC PACKAGE  
CASE 632  
TO-116

**P2 SUFFIX**  
PLASTIC PACKAGE  
CASE 646  
(MC1458, MC1458C, MC1458N)



**ELECTRICAL CHARACTERISTICS** ( $V_{CC} = 15\text{ V}$ ,  $V_{EE} = 15\text{ V}$ ,  $T_A = 25^\circ\text{C}$  unless otherwise noted).

Characteristic	Symbol	MC1558			MC1458			MC1458C			Unit
		Min	Typ	Max	Min	Typ	Max	Min	Typ	Max	
Input Offset Voltage ( $R_S \leq 10\text{ k}$ )	$V_{IO}$	-	1.0	5.0	-	2.0	6.0	-	2.0	10	mV
Input Offset Current	$I_{IO}$	-	20	200	-	20	200	-	20	300	nA
Input Bias Current	$I_{IB}$	-	80	500	-	80	500	-	80	700	nA
Input Resistance	$r_i$	0.3	2.0	-	0.3	2.0	-	-	2.0	-	M $\Omega$
Input Capacitance	$C_i$	-	1.4	-	-	1.4	-	-	1.4	-	pF
Offset Voltage Adjustment Range	$V_{IOR}$	-	$\pm 15$	-	-	$\pm 15$	-	-	$\pm 15$	-	mV
Common Mode Input Voltage Range	$V_{ICR}$	$\pm 12$	$\pm 13$	-	$\pm 12$	$\pm 13$	-	$\pm 11$	$\pm 13$	-	V
Large Signal Voltage Gain ( $V_O = \pm 10\text{ V}$ , $R_L = 2.0\text{ k}$ ) ( $V_O = \pm 10\text{ V}$ , $R_L = 10\text{ k}$ )	$A_v$	50	200	-	20	200	-	-	20	200	V/mV
Output Resistance	$r_o$	-	75	-	-	75	-	-	75	-	$\Omega$
Common Mode Rejection Ratio ( $R_S \leq 10\text{ k}$ )	CMRR	70	90	-	70	90	-	60	90	-	dB
Supply Voltage Rejection Ratio ( $R_S \leq 10\text{ k}$ )	PSRR	-	30	150	-	30	150	-	30	-	$\mu\text{V/V}$
Output Voltage Swing ( $R_L \geq 10\text{ k}$ ) ( $R_L \geq 2\text{ k}$ )	$V_O$	$\pm 12$ $\pm 10$	$\pm 14$ $\pm 13$	-	$\pm 12$ $\pm 10$	$\pm 14$ $\pm 13$	-	$\pm 11$ $\pm 9.0$	$\pm 14$ $\pm 13$	-	V
Output Short-Circuit Current	$I_{OS}$	-	20	-	-	20	-	-	20	-	mA
Supply Currents (Both Amplifiers)	$I_D$	-	2.3	5.0	-	2.3	5.6	-	2.3	8.0	mA
Power Consumption	$P_C$	-	70	150	-	70	170	-	70	240	mW
Transient Response (Unity Gain) ( $V_i = 20\text{ mV}$ , $R_L \geq 2\text{ k}\Omega$ , $C_L \leq 100\text{ pF}$ ) Rise Time ( $V_i = 20\text{ mV}$ , $R_L \geq 2\text{ k}\Omega$ , $C_L \leq 100\text{ pF}$ ) Overshoot ( $V_i = 10\text{ V}$ , $R_L \geq 2\text{ k}\Omega$ , $C_L \leq 100\text{ pF}$ ) Slew Rate	$t_{TLH}$ $t_{OS}$ SR	-	0.3 15 0.5	-	-	0.3 15 0.5	-	-	0.3 15 0.5	-	$\mu\text{s}$ % V/ $\mu\text{s}$

**ELECTRICAL CHARACTERISTICS** ( $V_{CC} = 15\text{ V}$ ,  $V_{EE} = 15\text{ V}$ ,  $T_A = *T_{high}$  to  $T_{low}$  unless otherwise noted).

Characteristic	Symbol	MC1558			MC1458			MC1458C			Unit
		Min	Typ	Max	Min	Typ	Max	Min	Typ	Max	
Input Offset Voltage ( $R_S \leq 10\text{ k}\Omega$ )	$V_{IO}$	-	1.0	6.0	-	-	7.5	-	-	12	mV
Input Offset Current ( $T_A = 125^\circ\text{C}$ ) ( $T_A = -55^\circ\text{C}$ ) ( $T_A = 0^\circ\text{C}$ to $+70^\circ\text{C}$ )	$I_{IO}$	-	7.0 85 -	200 500 -	-	-	-	-	-	- 400	nA
Input Bias Current ( $T_A = 125^\circ\text{C}$ ) ( $T_A = -55^\circ\text{C}$ ) ( $T_A = 0^\circ\text{C}$ to $+70^\circ\text{C}$ )	$I_{IB}$	-	30 300 -	500 1500 -	-	-	-	-	-	- 1000	nA
Common Mode Input Voltage Range	$V_{ICR}$	$\pm 12$	$\pm 13$	-	-	-	-	-	-	-	V
Common Mode Rejection Ratio ( $R_S \leq 10\text{ k}$ )	CMRR	70	90	-	-	-	-	-	-	-	dB
Supply Voltage Rejection Ratio ( $R_S \leq 10\text{ k}$ )	PSRR	-	30	150	-	-	-	-	-	-	$\mu\text{V/V}$
Output Voltage Swing ( $R_L \geq 10\text{ k}$ ) ( $R_L \geq 2\text{ k}$ )	$V_O$	$\pm 12$ $\pm 10$	$\pm 14$ $\pm 13$	-	$\pm 12$ $\pm 10$	$\pm 14$ $\pm 13$	-	-	$\pm 9.0$ $\pm 13$	-	V
Large Signal Voltage Gain ( $V_O = \pm 10\text{ V}$ , $R_L = 2\text{ k}$ ) ( $V_O = \pm 10\text{ V}$ , $R_L = 10\text{ k}$ )	$A_v$	25	-	-	15	-	-	-	-	- 15	V/mV
Supply Currents (Both Amplifiers) ( $T_A = 125^\circ\text{C}$ ) ( $T_A = -55^\circ\text{C}$ )	$I_D$	-	-	4.5 6.0	-	-	-	-	-	-	mA
Power Consumption ( $T_A = 125^\circ\text{C}$ ) ( $T_A = -55^\circ\text{C}$ )	$P_C$	-	-	135 180	-	-	-	-	-	-	mW

\* $T_{high} = 125^\circ\text{C}$  for MC1558 and  $70^\circ\text{C}$  for MC1458, MC1458C  
 $T_{low} = -55^\circ\text{C}$  for MC1558 and  $0^\circ\text{C}$  for MC1458, MC1458C



FIGURE 12 – NON-INVERTING PULSE RESPONSE

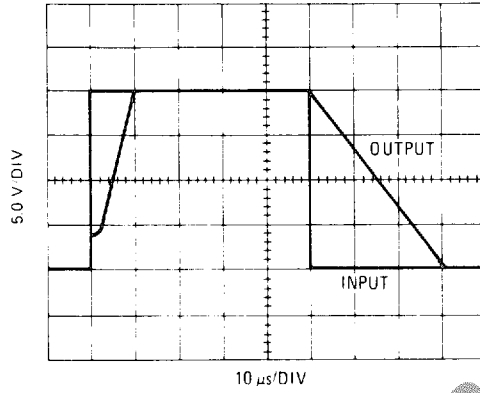


FIGURE 13 – TRANSIENT RESPONSE TEST CIRCUIT

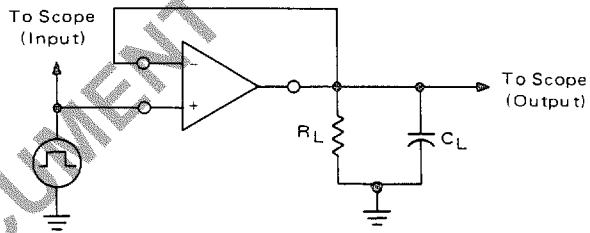
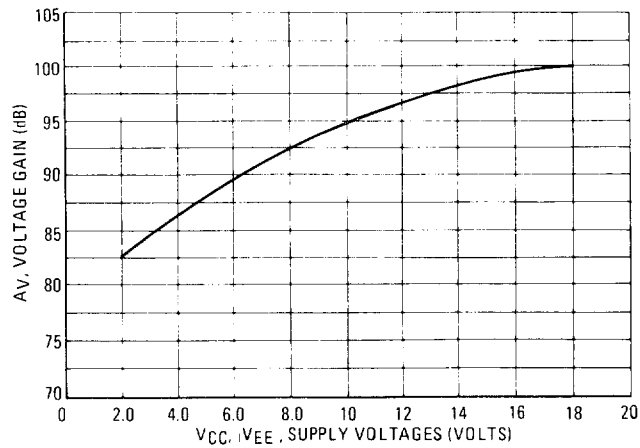


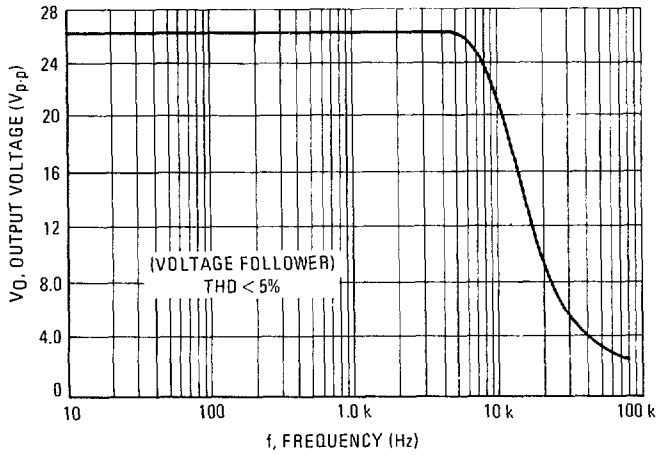
FIGURE 14 – OPEN LOOP VOLTAGE GAIN versus SUPPLY VOLTAGE



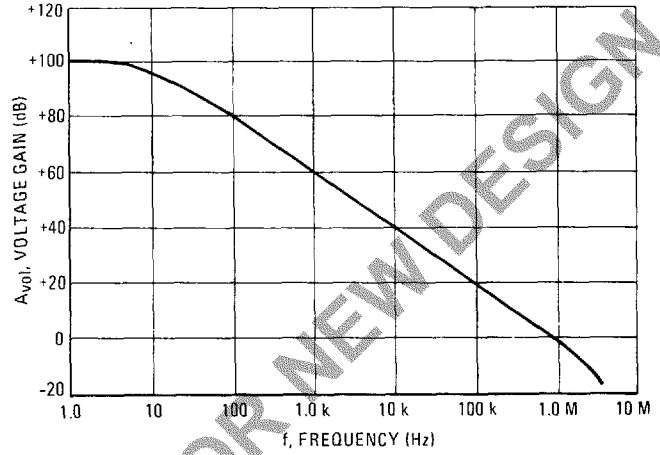
### TYPICAL CHARACTERISTICS

( $V_{CC} = +15 \text{ Vdc}$ ,  $V_{EE} = -15 \text{ Vdc}$ ,  $T_A = +25^\circ\text{C}$  unless otherwise noted).

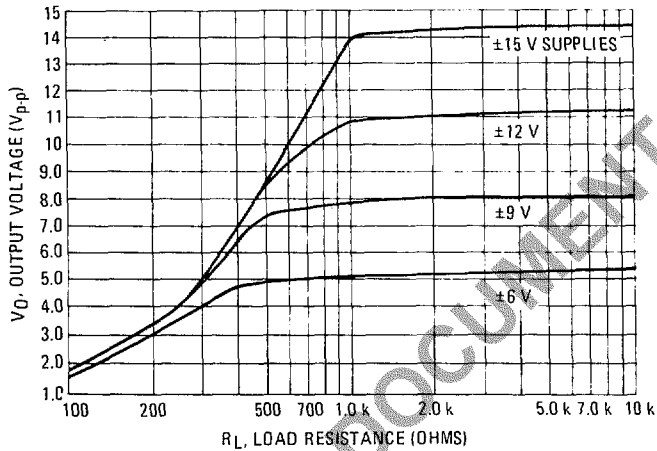
**FIGURE 6 – POWER BANDWIDTH  
(LARGE SIGNAL SWING versus FREQUENCY)**



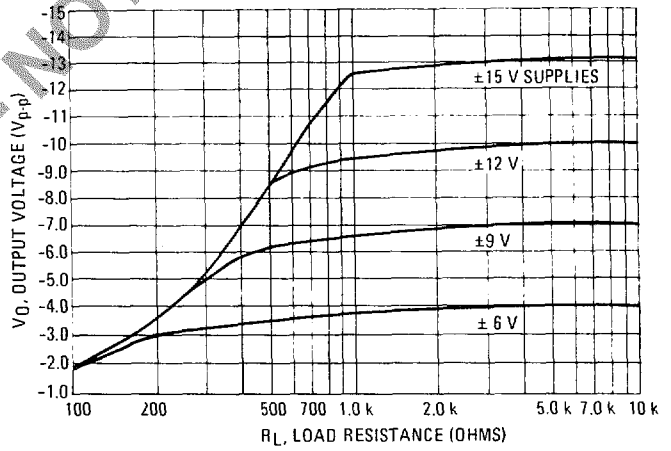
**FIGURE 7 – OPEN LOOP FREQUENCY RESPONSE**



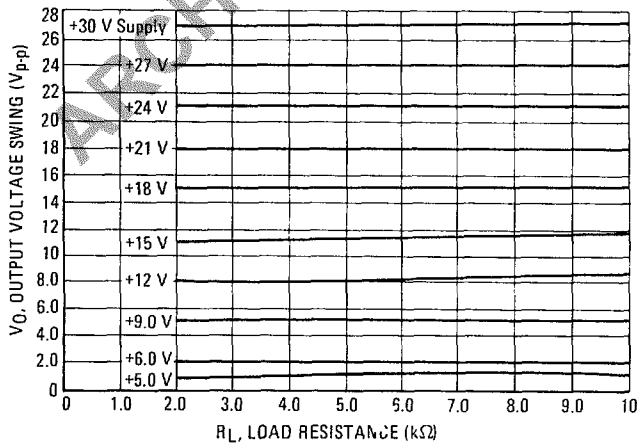
**FIGURE 8 – POSITIVE OUTPUT VOLTAGE SWING  
versus LOAD RESISTANCE**



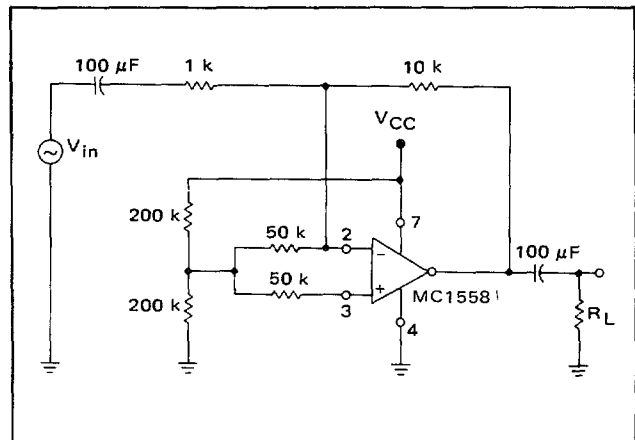
**FIGURE 9 – NEGATIVE OUTPUT VOLTAGE SWING  
versus LOAD RESISTANCE**



**FIGURE 10 – OUTPUT VOLTAGE SWING versus  
LOAD RESISTANCE (Single Supply Operation)**



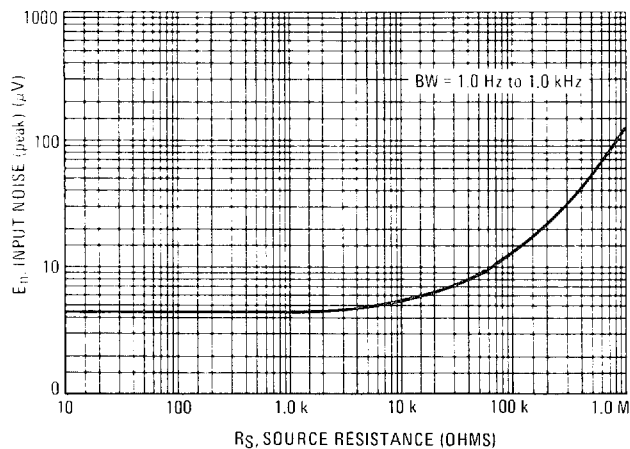
**FIGURE 11 – SINGLE SUPPLY INVERTING AMPLIFIER**



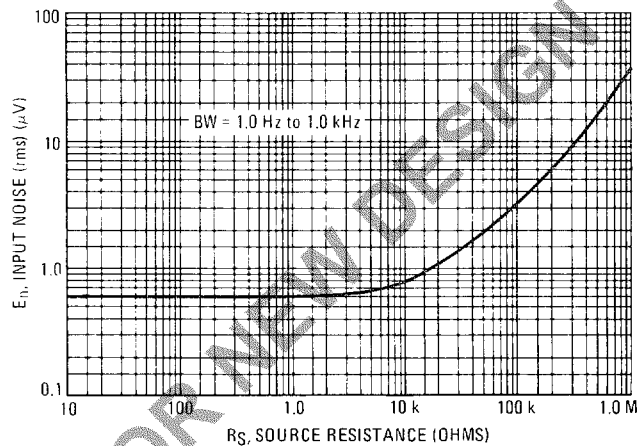
**NOISE CHARACTERISTICS** (Applies for MC1558N and MC1458N only,  $V_{CC} = 15\text{ V}$ ,  $V_{EE} = -15\text{ V}$ ,  $T_A = 25^\circ\text{C}$ )

Characteristic	Symbol	MC1558N			MC1458N			Unit
		Min	Typ	Max	Min	Typ	Max	
Burst Noise (Popcorn Noise) (BW = 1.0 Hz to 1.0 kHz, $\tau = 10\text{ s}$ , $R_S = 100\text{ k}\Omega$ ) (Input Referenced)	$E_n$	—	—	20	—	—	20	$\mu\text{V}_{\text{peak}}$

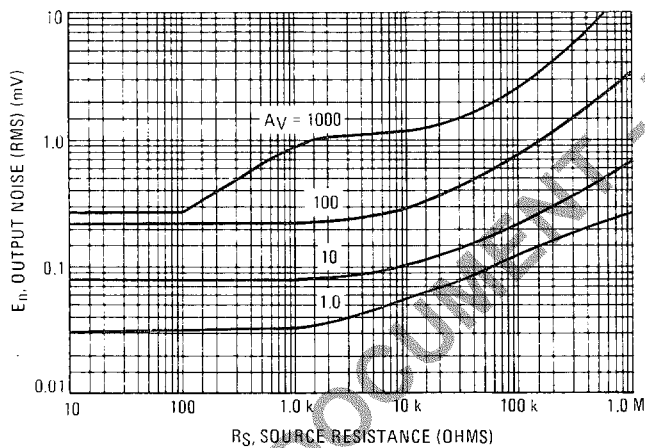
**FIGURE 1 – BURST NOISE versus SOURCE RESISTANCE**



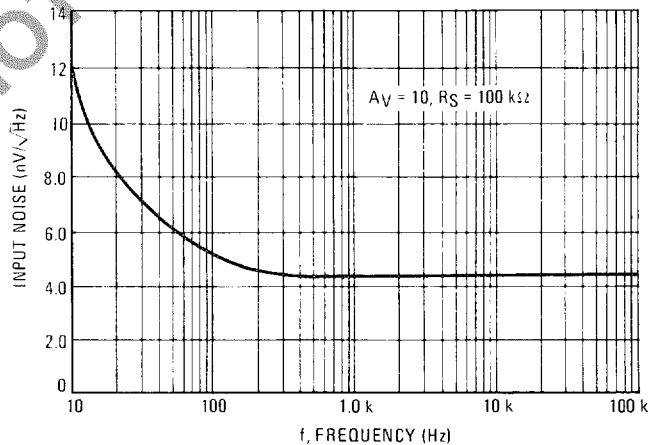
**FIGURE 2 – RMS NOISE versus SOURCE RESISTANCE**



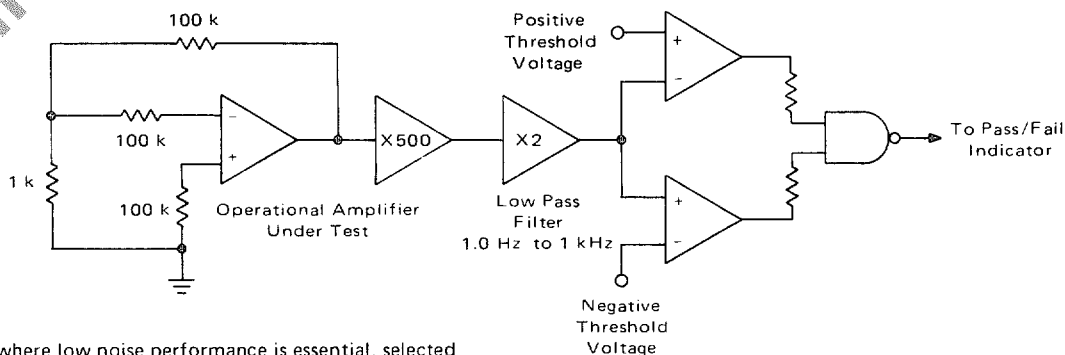
**FIGURE 3 – OUTPUT NOISE versus SOURCE RESISTANCE**



**FIGURE 4 – SPECTRAL NOISE DENSITY**



**FIGURE 5 – BURST NOISE TEST CIRCUIT (N Suffixes Devices Only)**



For applications where low noise performance is essential, selected devices denoted by an N suffix are offered. These units have been 100% tested for burst noise pulses on a special noise test system. Unlike conventional peak reading or RMS meters, this system was especially designed to provide the quick response time essential to burst (popcorn) noise testing.

The test time employed is 10 seconds and the 20  $\mu\text{V}$  peak limit refers to the operational amplifier input thus eliminating errors in the closed-loop gain factor of the operational amplifier under test.



## THERMAL INFORMATION

The maximum power consumption an integrated circuit can tolerate at a given operating ambient temperature, can be found from the equation:

$$P_{D(T_A)} = \frac{T_{J(max)} - T_A}{R_{\theta JA}(Typ)}$$

Where:  $P_{D(T_A)}$  = Power Dissipation allowable at a given operating ambient temperature. This must be greater than

the sum of the products of the supply voltages and supply currents at the worst case operating condition.

$T_{J(max)}$  = Maximum Operating Junction Temperature  
as listed in the Maximum Ratings Section

$T_A$  = Maximum Desired Operating Ambient  
Temperature

$R_{\theta JA}(Typ)$  = Typical Thermal Resistance Junction to  
Ambient

**G SUFFIX**  
METAL PACKAGE  
CASE 601  
 $R_{\theta JC} = 160^{\circ}\text{C/W (Typ)}$

NOTE:  
1. LEADS WITHIN 0.25 mm (0.010) DIA OF TRUE POSITION AT SEATING PLANE AT MAXIMUM MATERIAL CONDITION.

DIM	MILLIMETERS		INCHES	
	MIN	MAX	MIN	MAX
A	8.51	9.40	0.335	0.370
B	7.75	8.51	0.305	0.335
C	4.19	4.70	0.165	0.185
D	0.41	0.48	0.016	0.019
E	0.25	1.02	0.010	0.040
F	0.25	1.02	0.010	0.040
G	5.08 BSC		0.200 BSC	
H	0.71	0.86	0.028	0.034
J	0.74	1.14	0.029	0.045
K	12.70	-	0.500	-
L	3.05	4.06	0.120	0.160
M	45° BSC		45° BSC	
N	2.41	2.67	0.095	0.105

**L SUFFIX**  
CERAMIC PACKAGE  
CASE 632  
TO-116  
 $R_{\theta JC} = 100^{\circ}\text{C/W (Typ)}$

NOTE:  
1. DIMENSION "L" TO CENTER OF LEADS WHEN FORMED PARALLEL

DIM	MILLIMETERS		INCHES	
	MIN	MAX	MIN	MAX
A	19.05	19.81	0.750	0.780
B	6.22	6.99	0.245	0.275
C	4.32	5.08	0.170	0.200
D	0.41	0.51	0.016	0.020
F	1.45	1.60	0.057	0.063
G	2.54 BSC		0.100 BSC	
H	1.91	2.29	0.075	0.090
J	0.20	0.30	0.008	0.012
K	3.18	4.06	0.125	0.160
L	7.62 BSC		0.300 BSC	
M	-	15°	-	15°
N	0.51	0.76	0.020	0.030

**P1 SUFFIX**  
PLASTIC PACKAGE  
CASE 626  
(MC1458,C,N)  
 $R_{\theta JC} = 100^{\circ}\text{C/W (Typ)}$

NOTES:  
1. LEADS WITHIN 0.13 mm (0.005) RADIUS OF TRUE POSITION AT SEATING PLANE AT MAXIMUM MATERIAL CONDITION.  
2. DIM "L" TO CENTER OF LEADS WHEN FORMED PARALLEL

DIM	MILLIMETERS		INCHES	
	MIN	MAX	MIN	MAX
A	9.40	10.16	0.370	0.400
B	6.10	6.60	0.240	0.260
C	3.94	4.45	0.155	0.175
D	0.38	0.51	0.015	0.020
F	1.02	1.52	0.040	0.060
G	2.54 BSC		0.100 BSC	
H	0.76	1.27	0.030	0.050
J	0.20	0.30	0.008	0.012
K	2.92	3.43	0.115	0.135
L	7.37	7.87	0.290	0.310
M	-	10°	-	10°
N	0.51	0.76	0.020	0.030
P	0.13	0.38	0.005	0.015
Q	0.76	1.02	0.030	0.040

**P2 SUFFIX**  
PLASTIC PACKAGE  
CASE 646  
(MC1458,C,N)  
 $R_{\theta JC} = 100^{\circ}\text{C/W (Typ)}$

NOTES:  
1. LEADS WITHIN 0.13 mm (0.005) RADIUS OF TRUE POSITION AT SEATING PLANE AT MAXIMUM MATERIAL CONDITION.  
2. DIMENSION "L" TO CENTER OF LEADS WHEN FORMED PARALLEL

DIM	MILLIMETERS		INCHES	
	MIN	MAX	MIN	MAX
A	18.16	18.80	0.715	0.740
B	6.10	6.60	0.240	0.260
C	4.06	4.57	0.160	0.180
D	0.38	0.51	0.015	0.020
F	1.02	1.52	0.040	0.060
G	2.54 BSC		0.100 BSC	
H	1.32	1.83	0.052	0.072
J	0.20	0.30	0.008	0.012
K	2.92	3.43	0.115	0.135
L	7.37	7.87	0.290	0.310
M	-	10°	-	10°
N	0.51	1.02	0.020	0.040
P	0.13	0.38	0.005	0.015
Q	0.51	0.76	0.020	0.030

**U SUFFIX**  
CERAMIC PACKAGE  
CASE 693  
 $R_{\theta JC} = 100^{\circ}\text{C/W (Typ)}$

NOTES:  
1. LEADS WITHIN 0.13 mm (0.005) RAD OF TRUE POSITION AT SEATING PLANE AT MAXIMUM MATERIAL CONDITION.  
2. DIMENSION "L" TO CENTER OF LEADS WHEN FORMED PARALLEL.

DIM	MILLIMETERS		INCHES	
	MIN	MAX	MIN	MAX
A	9.91	10.92	0.390	0.430
B	6.22	6.99	0.245	0.275
C	4.32	5.08	0.170	0.200
D	0.41	0.51	0.016	0.020
F	1.40	1.65	0.055	0.065
G	2.54 BSC		0.100 BSC	
H	1.14	1.65	0.045	0.065
J	0.20	0.30	0.008	0.012
K	3.18	4.06	0.125	0.160
L	7.37	7.87	0.290	0.310
M	-	15°	-	15°
N	0.51	1.02	0.020	0.040

Circuit diagrams utilizing Motorola products are included as a means of illustrating typical semiconductor applications; consequently, complete information sufficient for construction purposes is not necessarily given. The information has been carefully checked and

is believed to be entirely reliable. However, no responsibility is assumed for inaccuracies. Furthermore, such information does not convey to the purchaser of the semiconductor devices described any license under the patent rights of Motorola Inc. or others.



**MOTOROLA Semiconductor Products Inc.**

Printed in Switzerland

Find price and stock options from leading distributors for MC1458 on Findchips.com:

<https://findchips.com/search/MC1458>

Find CAD models and details for this part:

<https://findchips.com/detail/mc1458/Motorola-Mobility-LLC>